
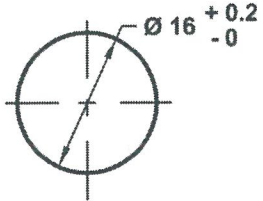
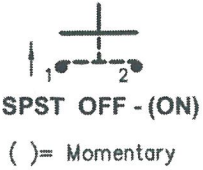
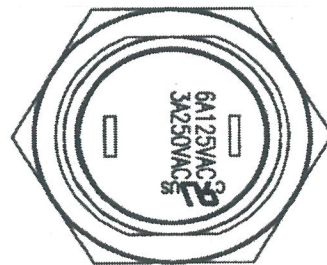
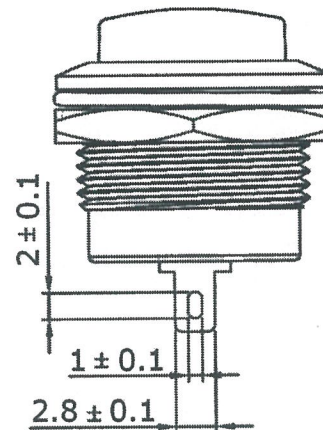
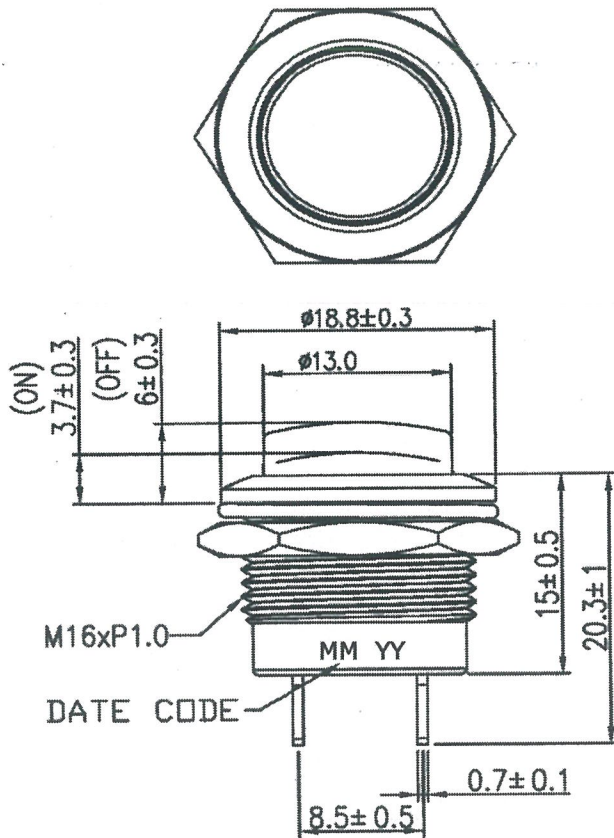


THIS INFORMATION IS CONFIDENTIAL AND PROPRIETARY TO CW INDUSTRIES INCORPORATED AND ITS AFFILIATES. IT MAY NOT BE DISCLOSED TO ANYONE, OTHER THAN CW INDUSTRIES PERSONNEL, WITHOUT WRITTEN AUTHORIZATION FROM CW INDUSTRIES INCORPORATED, SOUTHAMPTON, PENNSYLVANIA USA.

Rating	6A 125VAC , 3A 250V AC		Mounting Hole	Circuit Diagram
Contact Resistance	50m ohm max.			
Insulation Resistance	DC 500V 100M ohm min.			
Dielectric Strength	AC 1000V 1 minute			
Operating Temperature	-20°C ~ 85°C			

METAL BASE: Nickel plated brass.
 BUTTON COLOR: Black

Cut-Out 6mm thk. max.




Order Chart					
Series	Body		Terminal	Button Color	
GPB507	M	A	05	B	B
	Function			Body Color	

RoHS Compliant

MASTER

R13-507MA-05-BB

2	Removed Logo & added order chart. Dw 1/13/23
1	Removed +/-0.3 from 13.0 and +/-0.1 was +/-0.3 in 3 places and moved CW Logo to side. 10/11/11

 CW INDUSTRIES Southampton, Pa. 18966 Tel 215.355.7080/www.cwind.com	Date Drawn: 2/08/11	Rev. 2	Unit: mm	Checked By: <i>G. GULD</i>
	Title: PUSH BUTTON SWITCH		CW P/N: GPB507MA05BB	