
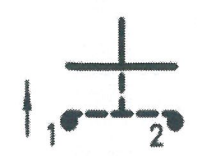
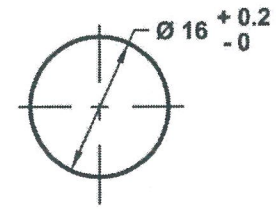
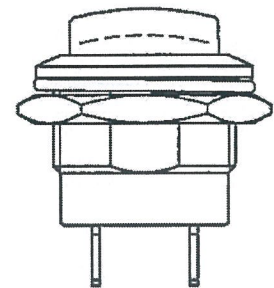
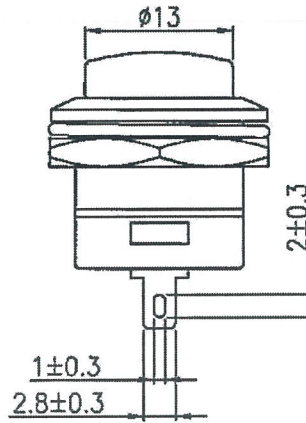
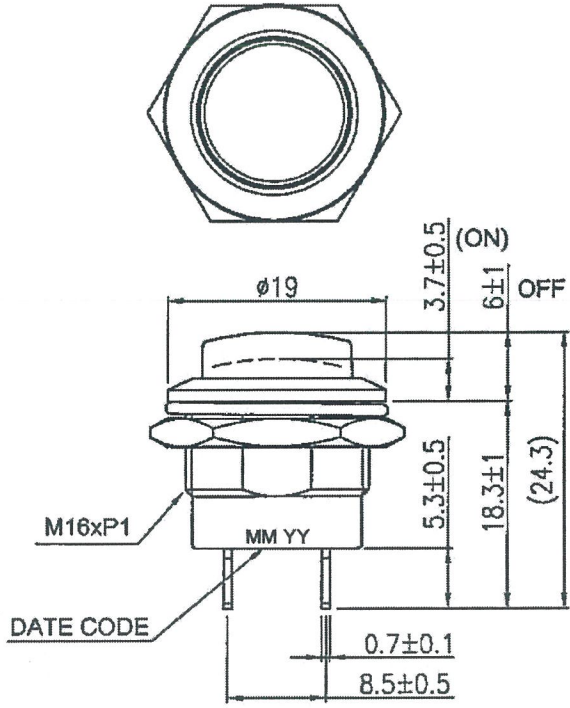


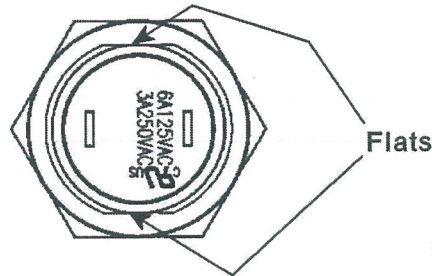
THIS INFORMATION IS CONFIDENTIAL AND PROPRIETARY TO CW INDUSTRIES INCORPORATED AND ITS AFFILIATES. IT MAY NOT BE DISCLOSED TO ANYONE, OTHER THAN CW INDUSTRIES PERSONNEL, WITHOUT WRITTEN AUTHORIZATION FROM CW INDUSTRIES INCORPORATED, SOUTHAMPTON, PENNSYLVANIA USA.

Rating	6A 125VAC , 3A 250V AC		Mounting Hole	
Contact Resistance	50m ohm max.			
Insulation Resistance	DC 500V 100M ohm min.			
Dielectric Strength	AC 1000V 1 minute			
Operating Temperature	-20°C ~ 85°C			
Switch Function	2P SPST OFF - (ON)	Cut-Out 6mm thk. max.		

() = Momentary Function



Material:
 Frame: Black, Nylon 66+30%GF
 Actuator: ABS
 Terminals: Copper Alloy



Color	"X"
Blue	U
Black	B
Red	R
Green	G
White	W

Series	Terminal	Actuator Color
GPB507	A 05 B X	
Function	Frame Color	

Tolerances Unless Otherwise Specified +/-0.3.

RoHS Compliant

R13-507A-05-B X

MASTER

1 Removed Logo & added order chart. DW 1/13/23.

CW INDUSTRIES
 Southampton, Pa. 18966
 Tel 215.355.7080/www.cwind.com

Date Drawn: 8/15/14

Rev. 1

Unit: mm

Checked By: *G. GULD*

Title: **PUSH BUTTON SWITCH**

CW P/N: **GPB507A05BX**