
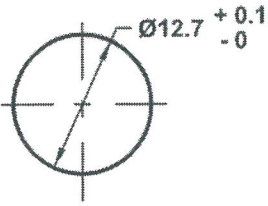
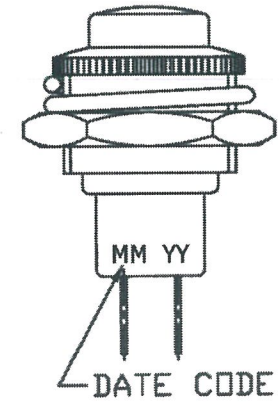
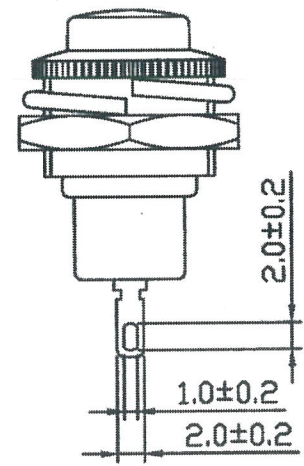
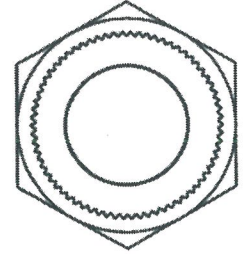
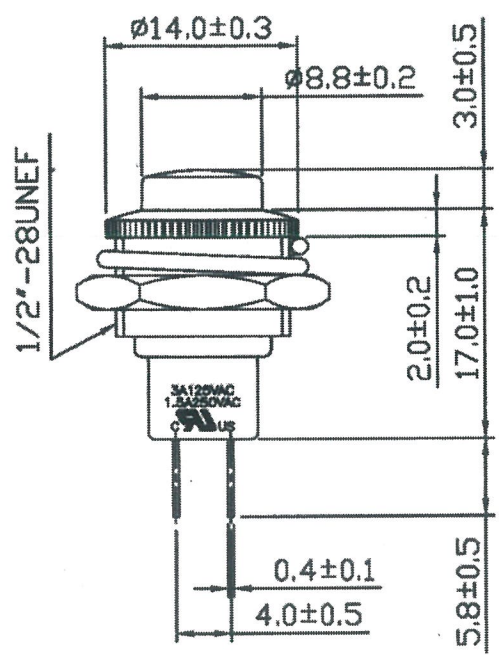


THIS INFORMATION IS CONFIDENTIAL AND PROPRIETARY TO CW INDUSTRIES INCORPORATED AND ITS AFFILIATES. IT MAY NOT BE DISCLOSED TO ANYONE, OTHER THAN CW INDUSTRIES PERSONNEL, WITHOUT WRITTEN AUTHORIZATION FROM CW INDUSTRIES INCORPORATED, SOUTHAMPTON, PENNSYLVANIA USA.

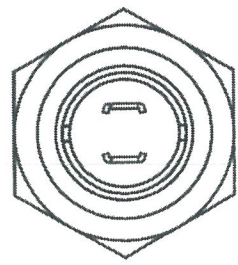
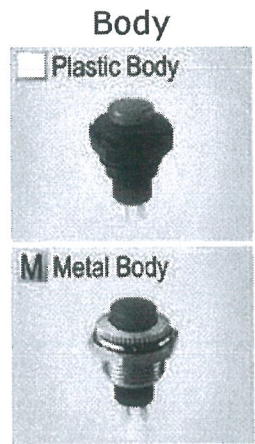
Rating	3A 125V AC 1.5A 250V AC (A)		Mounting Hole 
	3A 125V AC 1.5A 250V AC (B & C)		
Contact Resistance	50m ohm max.		
Insulation Resistance	DC 500V 100M ohm min.		
Dielectric Strength	AC 1000V 1 minute		
Operating Temperature	0° C ~ 85° C		

Cut-Out 3mm thk. max.

Frames are nylon (UL flame: 94V-2).
 "M" types are metal frames, nickel plated brass.
 Terminals are silver plated brass.

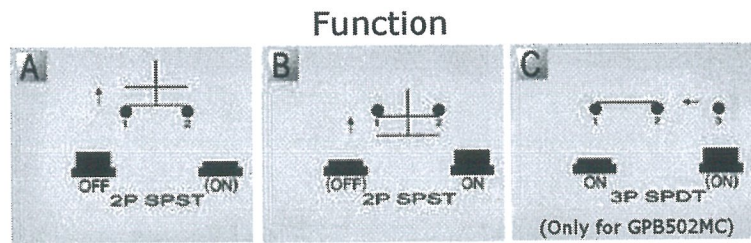


(Metal Body Shown)



Order Chart


Series	Body	Terminal	Button Color
GPB502	X X	XX X X	
	Function	Body Color	



() = Momentary Function

RoHS Compliant

MASTER

R13-502	1 Removed Logo & added order chart. DW 1/12/23.			
 INDUSTRIES Southampton, Pa. 18966 Tel 215.355.7080/www.cwind.com	Date Drawn: 2/08/11	Rev. 1	Unit: mm	Checked By: <i>G. GULD</i>
	Title: PUSH BUTTON SWITCH		CW P/N: GPB502XSERIES	