
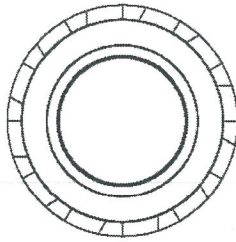


THIS INFORMATION IS CONFIDENTIAL AND PROPRIETARY TO CW INDUSTRIES INCORPORATED AND ITS AFFILIATES. IT MAY NOT BE DISCLOSED TO ANYONE, OTHER THAN CW INDUSTRIES PERSONNEL, WITHOUT WRITTEN AUTHORIZATION FROM CW INDUSTRIES INCORPORATED, SOUTHAMPTON, PENNSYLVANIA USA.

Rating	3A 125V AC 1.5A 250V AC		Mounting Hole	Circuit Diagram						
	<table border="1"> <tr> <td>Contact Resistance</td> <td>50m ohm Max.</td> </tr> <tr> <td>Insulation Resistance</td> <td>DC500V 100M ohm Min.</td> </tr> <tr> <td>Dielectric Strength</td> <td>AC 1000V 1 minute</td> </tr> <tr> <td>Switch Function</td> <td>2P SPST ON - (OFF)</td> </tr> </table>		Contact Resistance	50m ohm Max.	Insulation Resistance	DC500V 100M ohm Min.	Dielectric Strength	AC 1000V 1 minute	Switch Function	2P SPST ON - (OFF)
Contact Resistance	50m ohm Max.									
Insulation Resistance	DC500V 100M ohm Min.									
Dielectric Strength	AC 1000V 1 minute									
Switch Function	2P SPST ON - (OFF)									

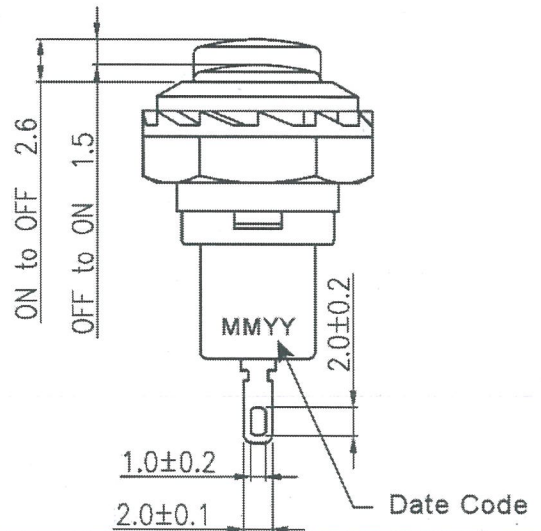
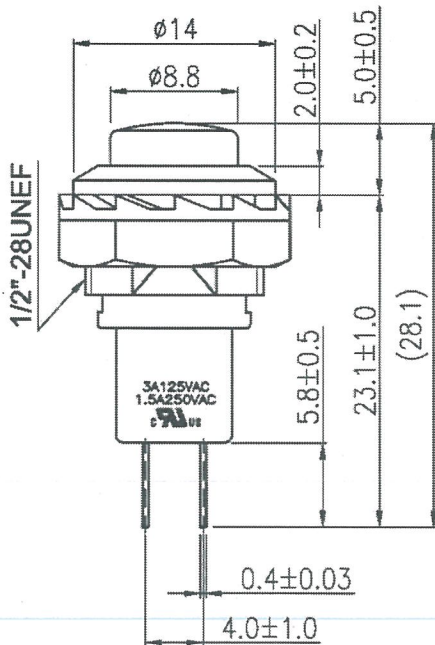
() = Momentary



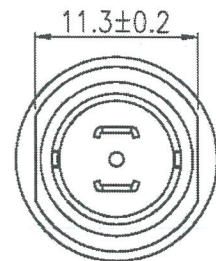
MATERIAL:

Body: Black, Nylon 66

Button: Black, Nylon 66




Order Chart	
Series	Terminal Style
GPB502	B 05 B B
Function	Body Color



Tolerances ± 0.3 Unless Otherwise Specified

MASTER

R13-502B-05-BB

 Southampton, Pa. 18966 Tel 215.355.7080/www.cwind.com	Date Drawn: DW 11/30/22	Rev. 0	Unit: mm	Checked By: <i>G. GOLD</i>
	Title: PUSH BUTTON SWITCH		CW P/N: GPB502B05BB	