

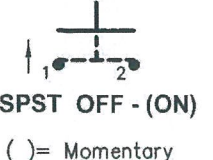
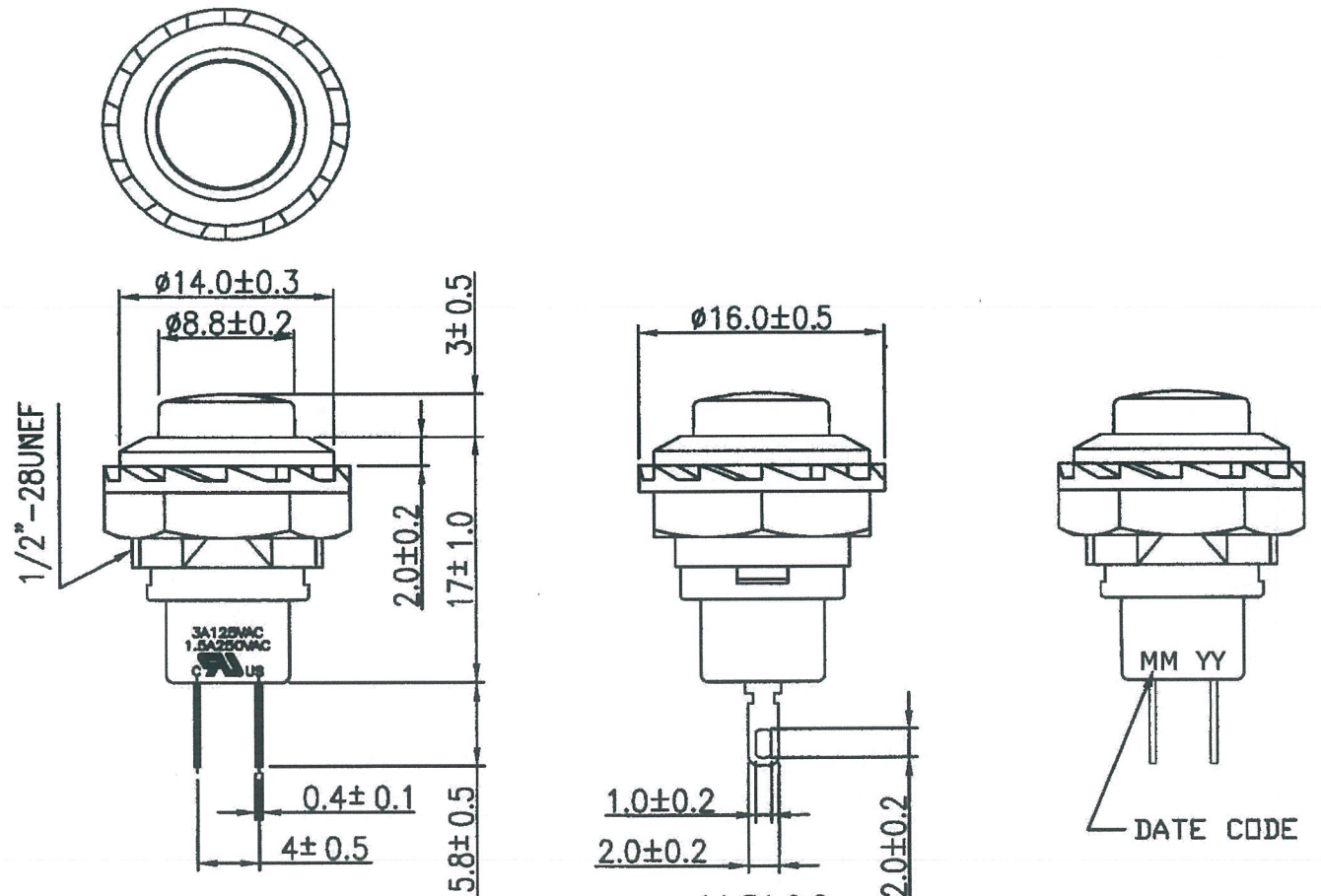


THIS INFORMATION IS CONFIDENTIAL AND PROPRIETARY TO CW INDUSTRIES INCORPORATED AND ITS AFFILIATES. IT MAY NOT BE DISCLOSED TO ANYONE, OTHER THAN CW INDUSTRIES PERSONNEL, WITHOUT WRITTEN AUTHORIZATION FROM CW INDUSTRIES INCORPORATED, SOUTHAMPTON, PENNSYLVANIA USA.

Rating	3A. 125V , 1. 5A 250V AC		Mounting Hole	Circuit Diagram
Contact Resistance	50m ohm max.			 <p>SPST OFF - (ON) ( ) = Momentary</p>
Insulation Resistance	DC 500V 100M ohm min.			
Dielectric Strength	AC 1000V 1 minute			

BASE COLOR: Black  
 BUTTON COLOR: Red  
 Base Bottom Color: Black

Cut-Out 3mm thk. max.



Order Chart			
Series	Terminal Style		Button Color
GPB502	A	05	B R
Function		Body Color	


Tolerances ±0.3 Unless Otherwise Specified

RoHS Compliant

MASTER

R13-502A-05-BR

1 Removed Logo & added order chart. DW 1/12/23.

 Southampton, Pa. 18966 Tel 215.355.7080/www.cwind.com	Date Drawn: 12/25/09	Rev. 1	Unit: mm	Checked By: <i>G. GULD</i>
	Title: <b>PUSH BUTTON SWITCH</b>		CW P/N: <b>GPB502A05BR</b>	