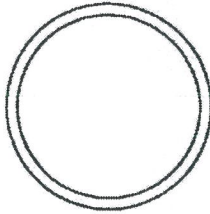


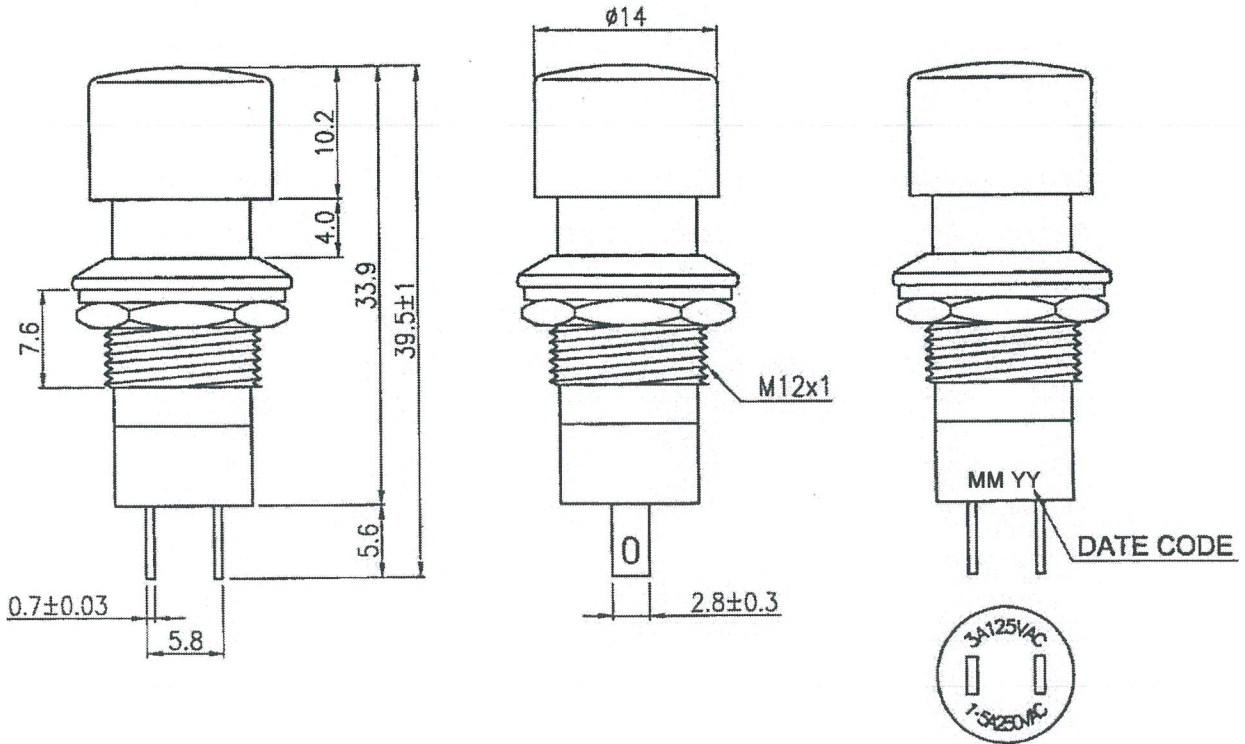
THIS INFORMATION IS CONFIDENTIAL AND PROPRIETARY TO CW INDUSTRIES INCORPORATED AND ITS AFFILIATES. IT MAY NOT BE DISCLOSED TO ANYONE, OTHER THAN CW INDUSTRIES PERSONNEL, WITHOUT WRITTEN AUTHORIZATION FROM CW INDUSTRIES INCORPORATED, SOUTHAMPTON, PENNSYLVANIA USA.

Rating	1.5A. 250V, 3A. 125V AC		
Contact Resistance	50m ohm max.		
Insulation Resistance	DC 500V 100M ohm min.		
Dielectric Strength	AC 1500 V 1 minute		
Switch Function	2P SPST OFF - ON		

Cut-Out 4mm thk. max.



**Material:**  
 Frame: Black, ABS  
 Actuator: Red, ABS  
 Base: Black, GF  
 Terminals: Copper Alloy



ORDER CHART			
Series	Terminal		
GPB040	B	05	B R
Function	Frame Color		

Actuator Color

Tolerances +/-0.5 Unless otherwise specified.

RoHS Compliant

**MASTER**

R13-40B-05-BR

3	Removed Logo & added order chart. DW 1/09/23
2	Redrawn. Removed CSA Symbol. DW 8/24/21.
1	Redrawn. Updated dimensions & views. 4/07/14.

**CW INDUSTRIES**  
 Southampton, Pa. 18966  
 Tel 215.355.7080/www.cwind.com

Date Drawn: 12/23/09

Rev. 3

Unit: mm

Checked By: *G. GULD*

Title:  
**PUSH BUTTON SWITCH**

CW P/N:  
**GPB040B05BR**