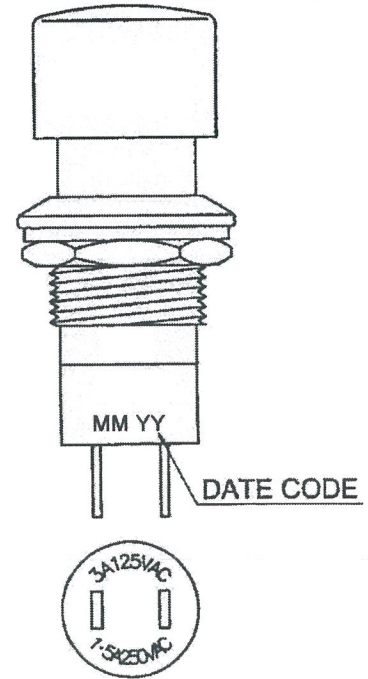
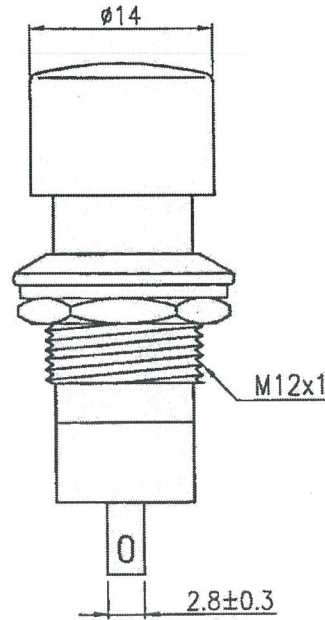
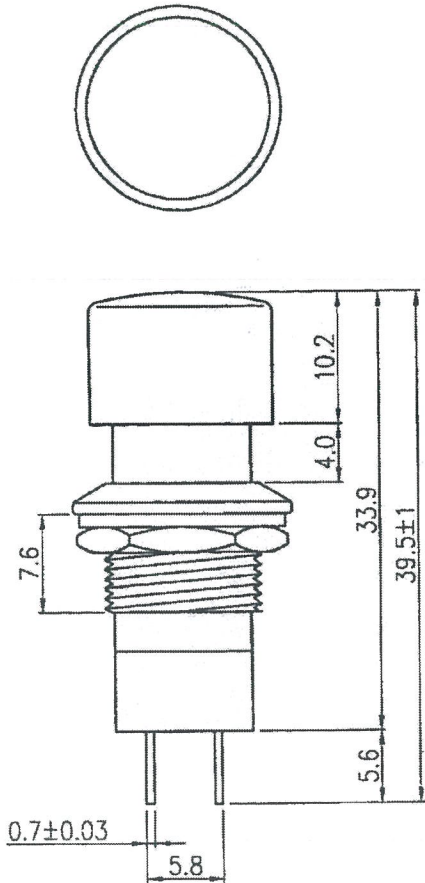


THIS INFORMATION IS CONFIDENTIAL AND PROPRIETARY TO CW INDUSTRIES INCORPORATED AND ITS AFFILIATES. IT MAY NOT BE DISCLOSED TO ANYONE, OTHER THAN CW INDUSTRIES PERSONNEL, WITHOUT WRITTEN AUTHORIZATION FROM CW INDUSTRIES INCORPORATED, SOUTHAMPTON, PENNSYLVANIA USA.

Rating	1.5A. 250V, 3A. 125V AC		
Contact Resistance	50m ohm max.		
Insulation Resistance	DC 500V 100M ohm min.		
Dielectric Strength	AC 1500 V 1 minute		
Switch Function	2P SPST OFF - (ON)		

() = Momentary

Cut-Out 4mm thk. max.



Material:

- Frame: Black, ABS
- Actuator: Black, ABS
- Base: Black, GF
- Terminals: Copper Alloy

Tolerances +/-0.5 Unless otherwise specified.

RoHS Compliant

ORDER CHART				
Series	Terminal		Actuator Color	
GPB040	A	05	B	B
Function		Frame Color		

MASTER

R13-40A-05-BB

3	Removed Logo & added order chart. DW 1/09/23
2	Redrawn. Removed CSA Symbol. DW 8/24/21.
1	Redrawn. Updated dimensions & views. 4/07/14.

CW INDUSTRIES
Southampton, Pa. 18966
Tel 215.355.7080/www.cwind.com

Date Drawn: 12/23/09

Rev. 3

Unit: mm

Checked By: *G. GULD*

Title:
PUSH BUTTON SWITCH

CW P/N:
GPB040A05BB