
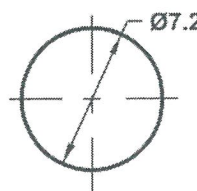
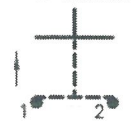
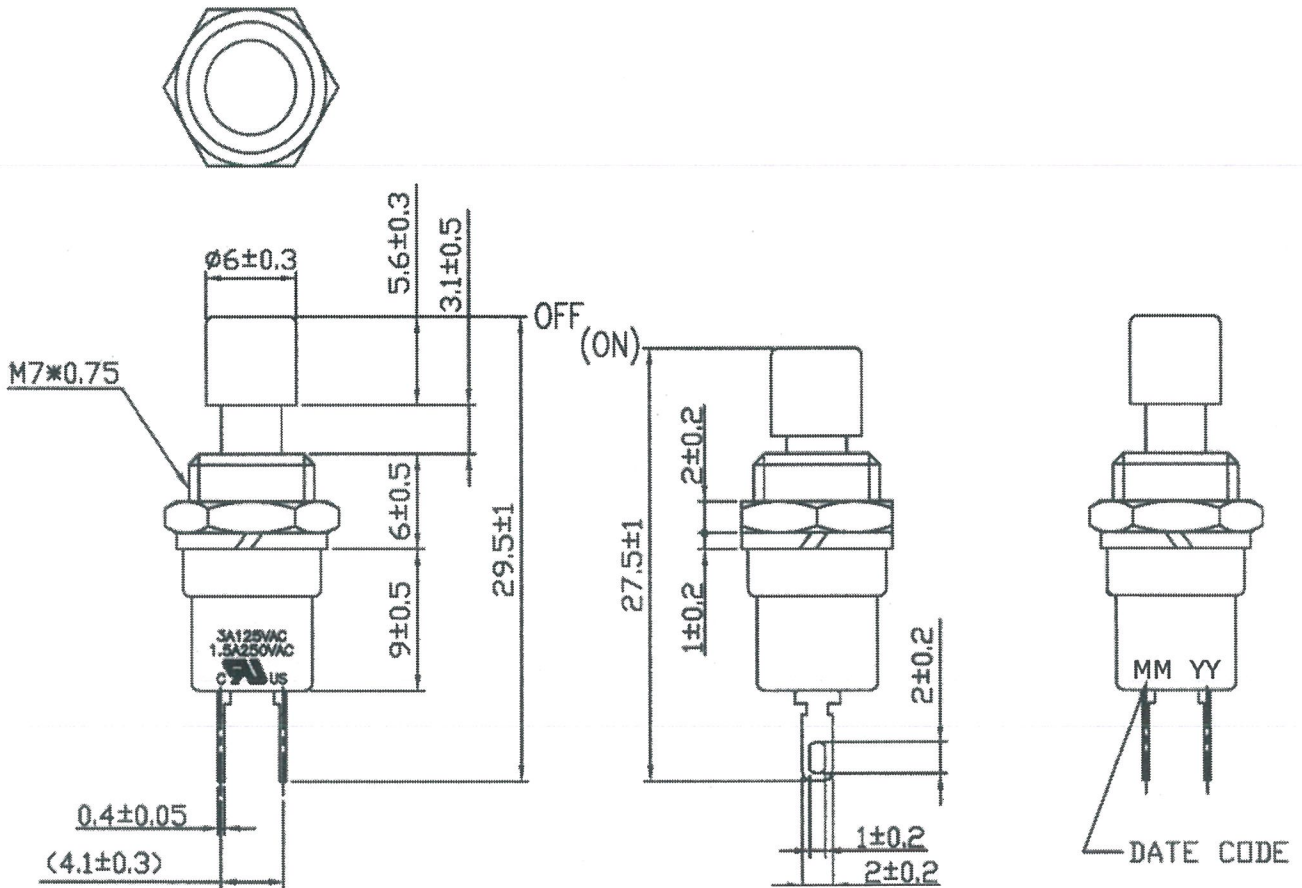


THIS INFORMATION IS CONFIDENTIAL AND PROPRIETARY TO CW INDUSTRIES INCORPORATED AND ITS AFFILIATES. IT MAY NOT BE DISCLOSED TO ANYONE, OTHER THAN CW INDUSTRIES PERSONNEL, WITHOUT WRITTEN AUTHORIZATION FROM CW INDUSTRIES INCORPORATED, SOUTHAMPTON, PENNSYLVANIA USA.

Rating	3A. 125VAC, 1.5A. 250VAC		Mounting Hole	Circuit Diagram
Contact Resistance	50m ohm max.			 SPST OFF - (ON) () = Momentary
Insulation Resistance	DC 500V 100M ohm min.			
Dielectric Strength	AC 1000V 1 minute			

Cut-Out 4 mm thk. max.

BASE COLOR: Black
 BUTTON COLOR: White




Order Chart				
Series	Terminal			
GPB024	A	05	B	W
Function		Base Color		

Button Color: W
Base Color: B

RoHS Compliant

MASTER

1 Removed Logo & Added Order Chart. DW 1/05/23.

 CW INDUSTRIES Southampton, Pa. 18966 Tel 215.355.7080/www.cwind.com	Date Drawn: 12/25/09	Rev. 1	Unit: mm	Checked By: <i>G. GOLD</i>
	Title: PUSH BUTTON SWITCH		CW P/N: GPB024A05BW	