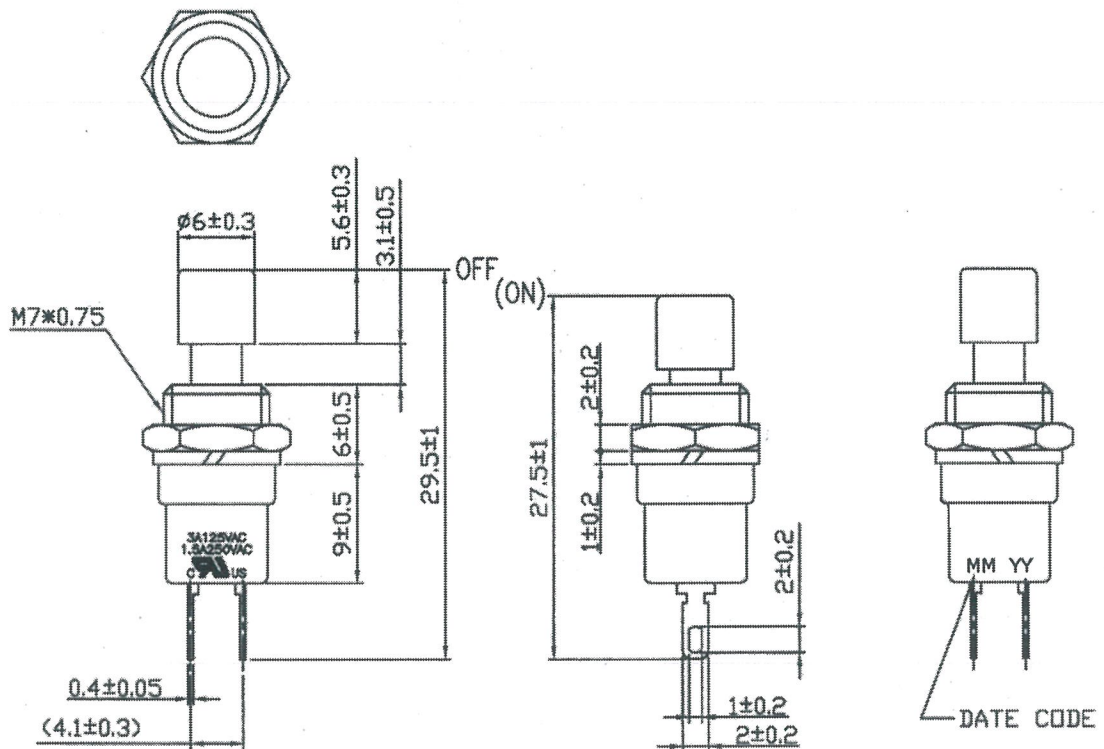


THIS INFORMATION IS CONFIDENTIAL AND PROPRIETARY TO CW INDUSTRIES INCORPORATED AND ITS AFFILIATES. IT MAY NOT BE DISCLOSED TO ANYONE, OTHER THAN CW INDUSTRIES PERSONNEL, WITHOUT WRITTEN AUTHORIZATION FROM CW INDUSTRIES INCORPORATED, SOUTHAMPTON, PENNSYLVANIA USA.

Rating	3A. 125VAC, 1.5A. 250VAC		Mounting Hole	Circuit Diagram
Contact Resistance	50m ohm max.			
Insulation Resistance	DC 500V 100M ohm min.			
Dielectric Strength	AC 1000V 1 minute			

Cut-Out 4mm thk. max.

BASE COLOR: Black  
BUTTON COLOR: Red



Order Chart				
Series	Terminal			
GPB024	A	05	B	R - Button Color
Function			Base Color	

RoHS Compliant

MASTER

1 Removed Logo & Added Order Chart. DW 1/05/23.

**CW INDUSTRIES**  
Southampton, Pa. 18966  
Tel 215.355.7080/www.cwind.com

Date Drawn: 12/25/09

Rev. 1

Unit: mm

Checked By: *G. Gold*

Title: **PUSH BUTTON SWITCH**

CW P/N: **GPB024A05BR**