
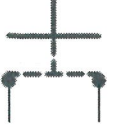
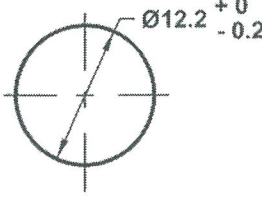
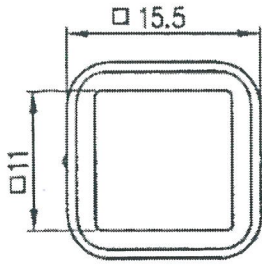


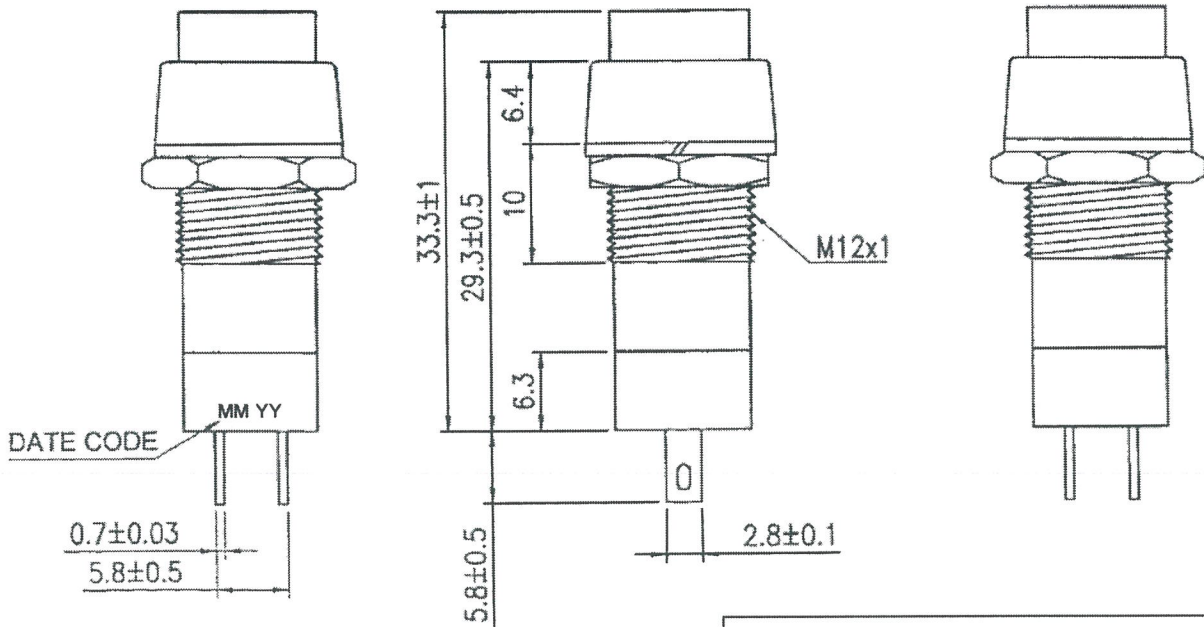
THIS INFORMATION IS CONFIDENTIAL AND PROPRIETARY TO CW INDUSTRIES INCORPORATED AND ITS AFFILIATES. IT MAY NOT BE DISCLOSED TO ANYONE, OTHER THAN CW INDUSTRIES PERSONNEL, WITHOUT WRITTEN AUTHORIZATION FROM CW INDUSTRIES INCORPORATED, SOUTHAMPTON, PENNSYLVANIA USA.

Rating	1.5A. 250V, 3A. 125V AC		Mounting Hole	
Contact Resistance	50m ohm max.			
Insulation Resistance	DC 500V 100M ohm min.			
Dielectric Strength	AC 1500V 1 minute			
Switch Function	2P SPST OFF - ON			

Cut-Out 4mm thk. max.



Material:
 Frame: Black, ABS
 Actuator: Black, ABS



DATE CODE
MM YY



ORDER CHART			
Series	Terminal		
GPB023	B	05	B B
Function			Actuator Color
			Frame Color

Tolerances +/- 0.3 Unless Otherwise Specified.

RoHS Compliant

MASTER

R13-23B-05-BB

1 Removed logo & added chart. DW 1/06/23.

CW INDUSTRIES
 Southampton, Pa. 18966
 Tel 215.355.7080/www.cwind.com

Date Drawn: 4/04/14

Rev. 1

Unit: mm

Checked By: *G. GULD*

Title:
PUSH BUTTON SWITCH

CW P/N:
GPB023B05BB