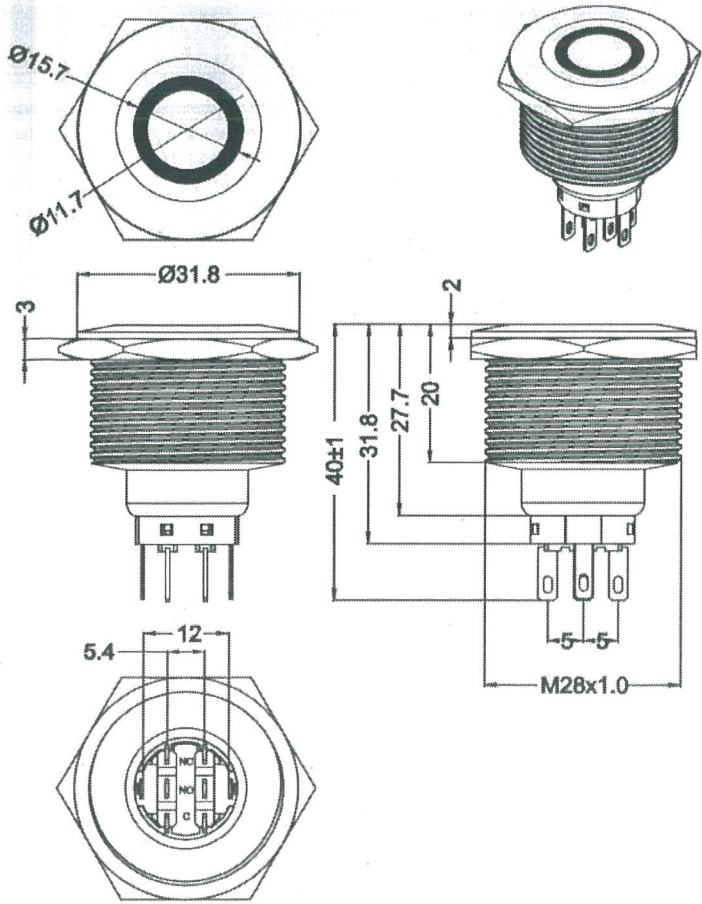
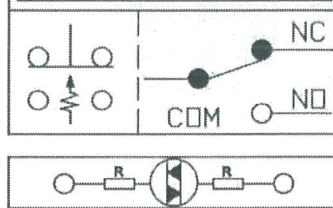


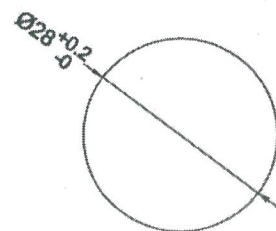
THIS INFORMATION IS CONFIDENTIAL AND PROPRIETARY TO CW INDUSTRIES INCORPORATED AND ITS AFFILIATES. IT MAY NOT BE DISCLOSED TO ANYONE, OTHER THAN CW INDUSTRIES PERSONNEL, WITHOUT WRITTEN AUTHORIZATION FROM CW INDUSTRIES INCORPORATED, SOUTHAMPTON, PENNSYLVANIA USA.



Circuit Diagram (Momentary)



Accessories package	
Silicon o-ring	Hex nuts
Accessories are not locked when shipped	



Panel Cutout Ø 28 mm
(Panel thickness : 14 mm MAX)

Rating: 6A 125/250V~µ 5E4
6A 3~ 48VDC µ 3E4
Contact Resistance: 50mΩ (max.) initial
Insulation Resistance: 100MΩ (min.)
Actuator Shape: Flat
Type: DPDT Momentary
Body Material: Stainless Steel
Actuator: Stainless Steel
Lens Style: Ring
LED Color: Red
LED Voltage: 3 VDC
Lens Color: Red
Dielectric Strength: 500VAC for 1 minute
Mechanical Life: 1,000,000 cycles
Operation Force: 350g ± 150g
Total Travel: 3.2mm (max.)
Protection Level: IP68, IK10 (Above the panel)
Nut Torque: 5~14Nm

Order Chart									
Series		LED Voltage		Body Material		Terminal Type			
GPA	28	M	23	F	E	R	1	S	S
Body Type		Circuit		LED & Lens Color		Lens Style			
						Actuator Shape			

NOTE: TOLERANCES UNLESS OTHERWISE SPECIFIED : ± 0.5 (mm).

MASTER

PK-28M23FER1S-ANRA-CW

CW INDUSTRIES
Southampton, Pa. 18966
Tel 215.355.7080/www.cwind.com

Date Drawn: DW 11/20/24	Rev. 2	Unit: mm	Checked By: <i>G.GULD</i>
Title: ILLUMINATED 3V RED LED ANTI-VANDAL SWITCH		CW P/N: GPA28M23FER1SS	

- 2 Updated PK#. DW 6/23/25
- 1 Updated notes & removed description of LED color & voltage chart. DW 3/07/25