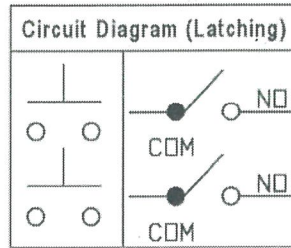
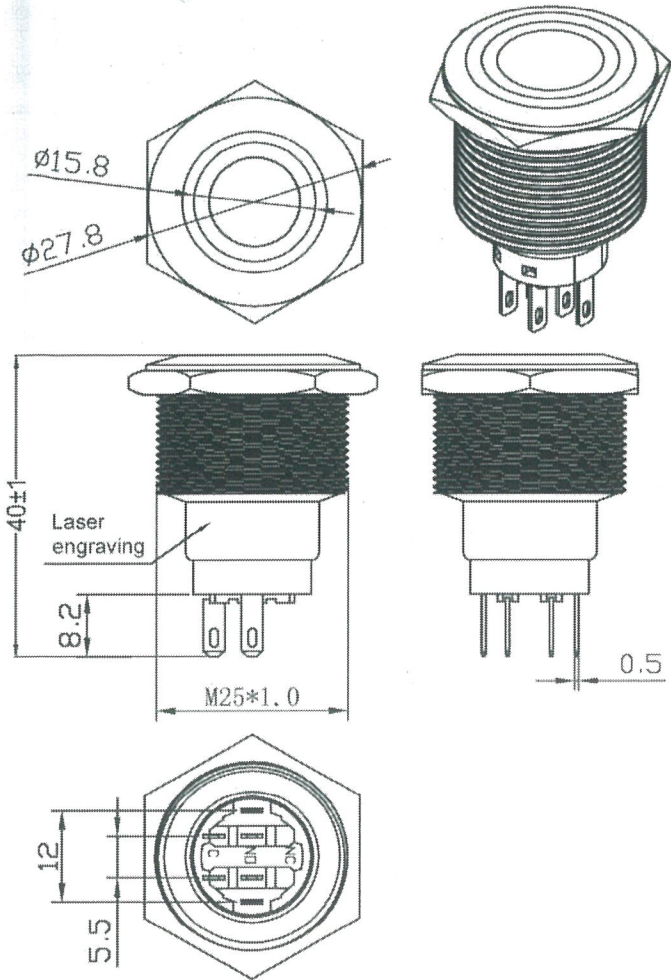
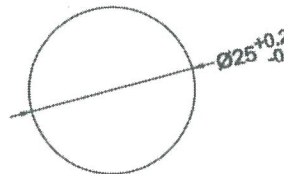


THIS INFORMATION IS CONFIDENTIAL AND PROPRIETARY TO CW INDUSTRIES INCORPORATED AND ITS AFFILIATES. IT MAY NOT BE DISCLOSED TO ANYONE, OTHER THAN CW INDUSTRIES PERSONNEL, WITHOUT WRITTEN AUTHORIZATION FROM CW INDUSTRIES INCORPORATED, SOUTHAMPTON, PENNSYLVANIA USA.



Accessories package	
Silicon o-ring	Hex nuts
Accessories are not locked when shipped	



Panel Cutout  $\phi 25$  mm  
(Panel thickness : 14 mm MAX)

Rating: 6A 125/250V~ $\mu$  5E4  
6A 3~ 48VDC  $\mu$  3E4

Contact Resistance: 50m $\Omega$  (max.) initial  
Insulation Resistance: 100M $\Omega$  (min.)

Actuator Shape: Flat

Type: DPST Latching

Body Material: Stainless Steel

Actuator: Stainless Steel

Lens Style: Ring

LED Color: Yellow

LED Voltage: 12VDC

Lens Color: Yellow

Dielectric Strength: 500VAC for 1 minute

Mechanical Life: 1,000,000 cycles

Operation Force: 350g  $\pm$  150g

Total Travel: 3.2mm (max.)

Protection Level: IP68, IK10 (Above the panel)

Nut Torque: 5~14Nm

Order Chart									
Series		LED Voltage			Body Material				
GPA	25	Z	21	F	E	Y	3	S	S
Body Type		LED & Lens Color			Terminal Type				
Circuit		Lens Style			Actuator Shape				

NOTE: TOLERANCES UNLESS OTHERWISE SPECIFIED :  $\pm 0.5$  (mm).

**MASTER**

PK-25Z21FEY3SS-ANYA-CW

**CW INDUSTRIES**  
Southampton, Pa. 18966  
Tel 215.355.7080/www.cwind.com

Date Drawn: DW 4/29/25 Rev. 1  
Title: ILLUMINATED  
12V YELLOW LED  
ANTI-VANDAL SWITCH

Unit: mm Checked By: *G. GOLD*  
CW P/N: GPA25Z21FEY3SS

1 Updated PK#.  
DW 6/23/25