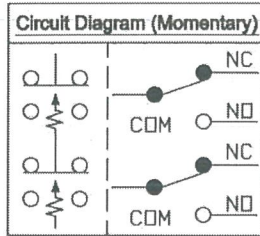
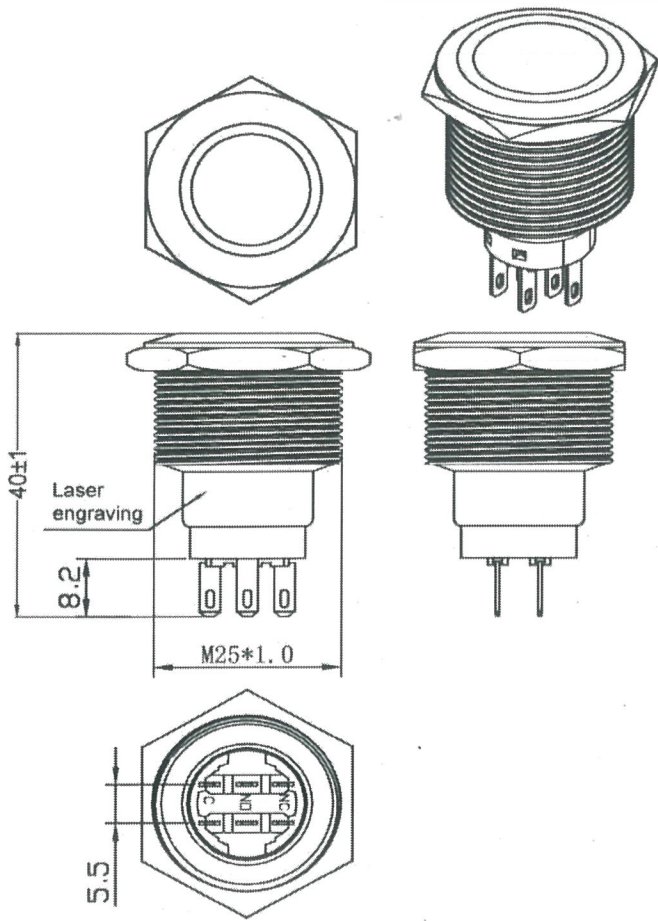
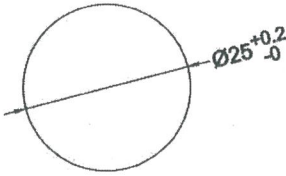


THIS INFORMATION IS CONFIDENTIAL AND PROPRIETARY TO CW INDUSTRIES INCORPORATED AND ITS AFFILIATES. IT MAY NOT BE DISCLOSED TO ANYONE, OTHER THAN CW INDUSTRIES PERSONNEL, WITHOUT WRITTEN AUTHORIZATION FROM CW INDUSTRIES INCORPORATED, SOUTHAMPTON, PENNSYLVANIA USA.



Accessories package	
Silicon o-ring	Hex nuts
Accessories are not locked when shipped	



Panel Cutout Ø25 mm  
(Panel thickness : 14 mm MAX)

**Rating:** 6A 125/250V~μ 5E4  
6A 3~ 48VDC μ 3E4  
**Contact Resistance:** 50mΩ (max.) initial  
**Insulation Resistance:** 100MΩ (min.)  
**Actuator Shape:** Flat  
**Type:** DPDT, Momentary  
**Body Material:** Stainless Steel  
**Actuator:** Stainless Steel  
**Dielectric Strength:** 500VAC for 1 minute  
**Mechanical Life:** 1,000,000 cycles  
**Operation Force:** 350g ± 150g  
**Total Travel:** 3.2mm (max.)  
**Protection Level:** IP68, IK10 (Above the panel)  
**Nut Torque:** 5~14Nm

Order Chart									
Series		LED Voltage		Body Material					
GPA	25	M	23	F	N	N	N	S	S
Body Type		LED & Lens Color		Terminal Type					
Circuit		Lens Style		Actuator Shape					

NOTE: TOLERANCES UNLESS OTHERWISE SPECIFIED : ± 0.5 (mm).

MASTER

PK-25M23FNNNS-ANNA-CW

<b>CW INDUSTRIES</b> Southampton, Pa. 18966 Tel 215.355.7080/www.cwind.com	Date Drawn: DW 11/20/24	Rev. 2	Unit: mm	Checked By: <i>G. Gold</i>	
	Title: <b>PUSH BUTTON ANTI-VANDAL SWITCH</b>		CW P/N: <b>GPA25M23FNNSS</b>		2 Updated all views. DW 10/06/25
					1 Updated notes & removed description of LED color & voltage chart. DW 3/07/25