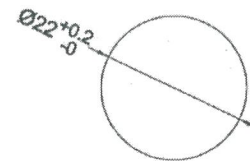
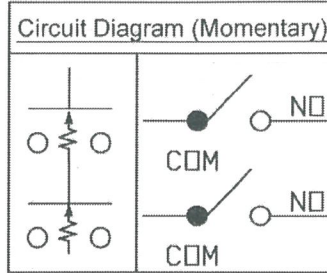
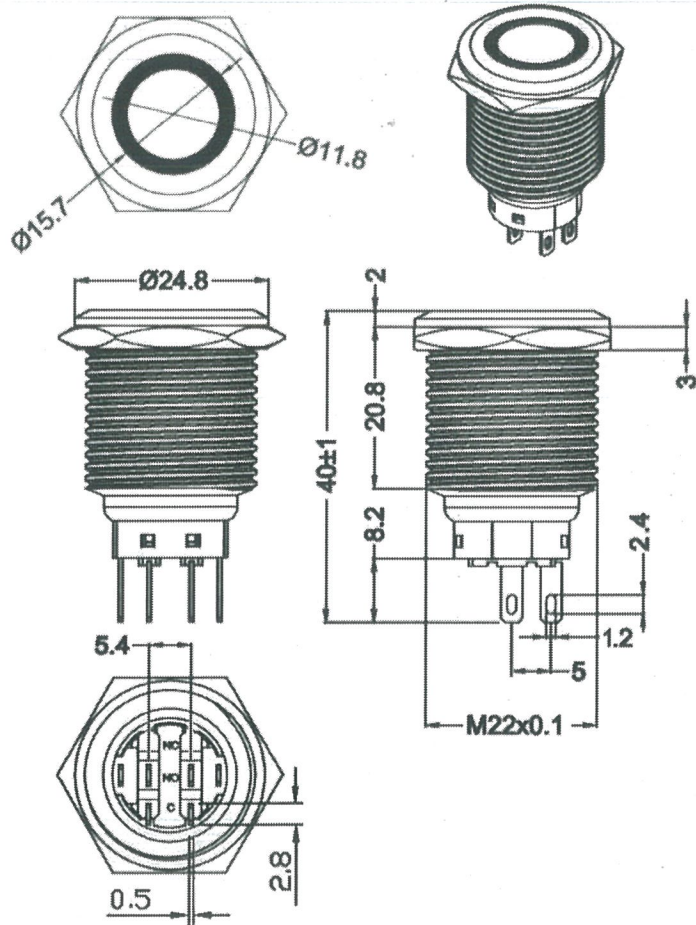


THIS INFORMATION IS CONFIDENTIAL AND PROPRIETARY TO CW INDUSTRIES INCORPORATED AND ITS AFFILIATES. IT MAY NOT BE DISCLOSED TO ANYONE, OTHER THAN CW INDUSTRIES PERSONNEL, WITHOUT WRITTEN AUTHORIZATION FROM CW INDUSTRIES INCORPORATED, SOUTHAMPTON, PENNSYLVANIA USA.



Panel Cutout  $\varnothing 22$  mm  
(Panel thickness : 14 mm MAX)

Accessories package	
Silicon o-ring	Hex nuts
Accessories are not locked when shipped	

Rating: 6A 125/250V~ $\mu$  5E4  
6A 3~ 48VDC  $\mu$  3E4

Contact Resistance: 50m $\Omega$  (max.) initial  
Insulation Resistance: 100M $\Omega$  (min.)

Actuator Shape: Flat  
Type: DPST, Momentary  
Body Material: Stainless Steel  
Actuator: Stainless Steel  
Lens Style: Ring

LED Color: RED  
LED Voltage: 24 VDC  
Lens Color: RED

Dielectric Strength: 500VAC for 1 minute  
Mechanical Life: 1,000,000 cycles  
Operation Force: 350g  $\pm$  150g  
Total Travel: 3.2mm (max.)  
Protection Level: IP68, IK10 (Above the panel)  
Nut Torque: 5~14Nm

Order Chart

Series	LED Voltage		Body Material		Terminal Type
GPA	22	M	21	F E R	4 S S
Body Type	LED & Lens Color		Lens Style		Actuator Shape

NOTE: TOLERANCES UNLESS OTHERWISE SPECIFIED :  $\pm 0.5$  (mm).

**MASTER**

PK-22M21FER4SS-ANRA-CW

**CW INDUSTRIES**  
Southampton, Pa. 18966  
Tel 215.355.7080/www.cwind.com

Date Drawn: DW 7/28/25

Rev. 1

Unit: mm

Checked By: *G. GOLD*

Title: ILLUMINATED  
24V RED LED  
ANTI-VANDAL SWITCH

CW P/N:

**GPA22M21FER4SS**

1 Redrawn. Corrected views. DW 10/02/25.