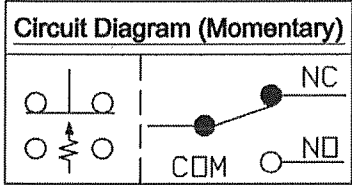
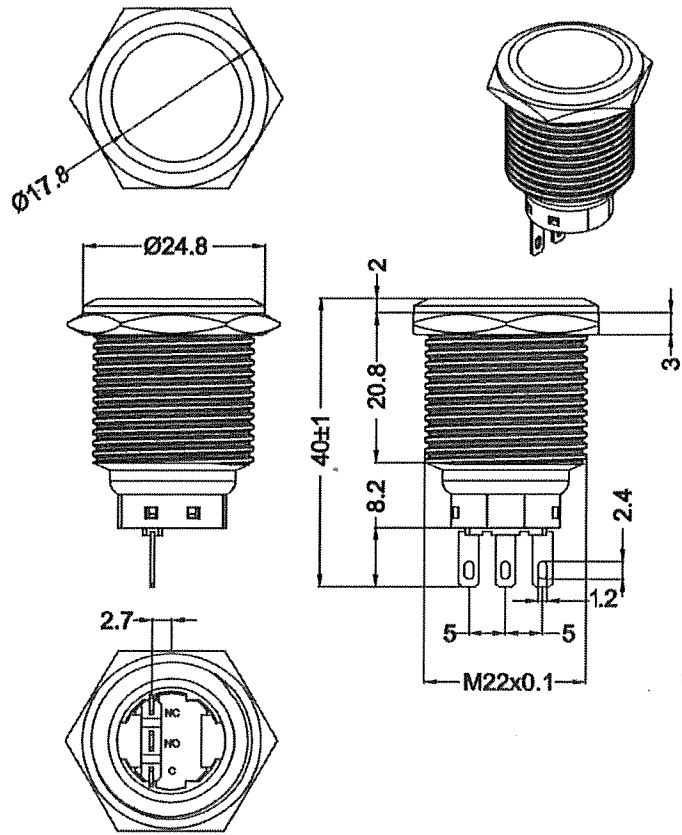
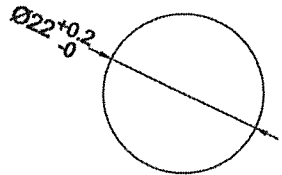


THIS INFORMATION IS CONFIDENTIAL AND PROPRIETARY TO CW INDUSTRIES INCORPORATED AND ITS AFFILIATES. IT MAY NOT BE DISCLOSED TO ANYONE, OTHER THAN CW INDUSTRIES PERSONNEL, WITHOUT WRITTEN AUTHORIZATION FROM CW INDUSTRIES INCORPORATED, SOUTHAMPTON, PENNSYLVANIA USA.



Accessories package	
Silicon o-ring	Hex nuts
Accessories are not locked when shipped	



Panel Cutout Ø22 mm
(Panel thickness : 14 mm MAX)

Rating: 6A 125/250V~μ 5E4
6A 3~ 48VDC μ 3E4
Contact Resistance: 50mΩ (max.) initial
Insulation Resistance: 100MΩ (min.)
Actuator Shape: Flat
Type: SPDT, Momentary
Body Material: Stainless Steel
Actuator: Stainless Steel
Dielectric Strength: 500VAC for 1 minute
Mechanical Life: 1,000,000 cycles
Operation Force: 350g ± 150g
Total Travel: 3.2mm (max.)
Protection Level: IP68, IK10 (Above the panel)
Nut Torque: 5~14Nm

Order Chart

Series	LED Voltage		Body Material		Terminal Type				
GPA	22	M	13	F	N	N	N	S	S
Body Type	LED & Lens Color		Lens Style		Circuit		Actuator Shape		

NOTE: TOLERANCES UNLESS OTHERWISE SPECIFIED : ± 0.5 (mm).

PK-22M13FNNS-ANN

 Southampton, Pa. 18966 Tel 215.355.7080/www.cwind.com	Date Drawn: DW 11/19/24	Rev. 1	Unit: mm	Checked By: <i>G. GOLD</i>
	Title: PUSH BUTTON ANTI-VANDAL SWITCH		CW P/N: GPA22M13FNNS	

1 Updated notes & removed description of LED color & voltage chart. DW 3/07/25