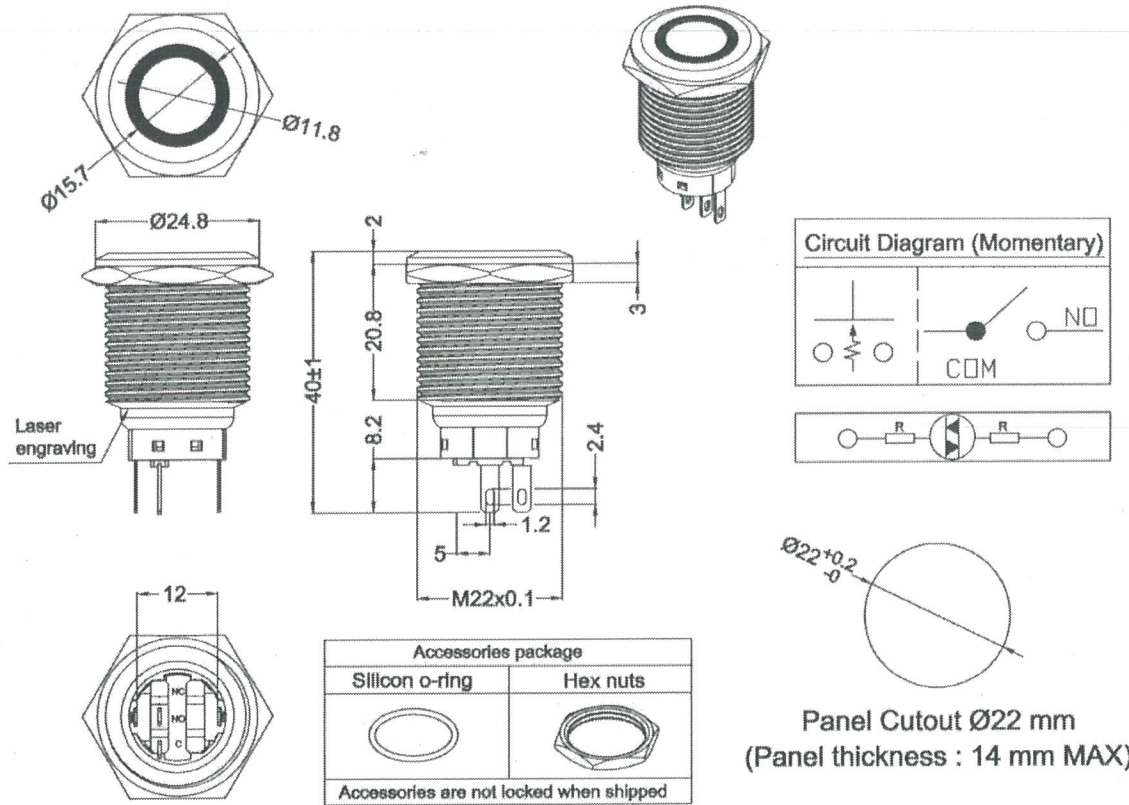


THIS INFORMATION IS CONFIDENTIAL AND PROPRIETARY TO CW INDUSTRIES INCORPORATED AND ITS AFFILIATES. IT MAY NOT BE DISCLOSED TO ANYONE, OTHER THAN CW INDUSTRIES PERSONNEL, WITHOUT WRITTEN AUTHORIZATION FROM CW INDUSTRIES INCORPORATED, SOUTHAMPTON, PENNSYLVANIA USA.



Rating: 6A 125/250V~μ 5E4

6A 3~ 48VDC μ 3E4

Contact Resistance: 50mΩ (max.) initial

Insulation Resistance: 100MΩ (min.)

Actuator Shape: Flat

Type: SPST, Momentary

Body Material: Stainless Steel

Actuator: Stainless Steel

Lens Style: Ring

LED Color: Green

LED Voltage: 12 VDC

Lens Color: Green

Dielectric Strength: 500VAC for 1 minute

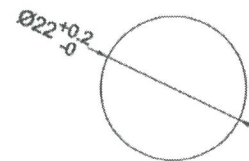
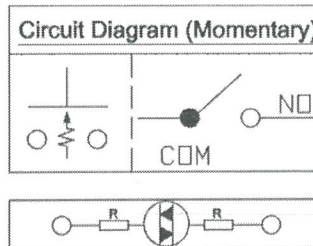
Mechanical Life: 1,000,000 cycles

Operation Force: 350g ± 150g

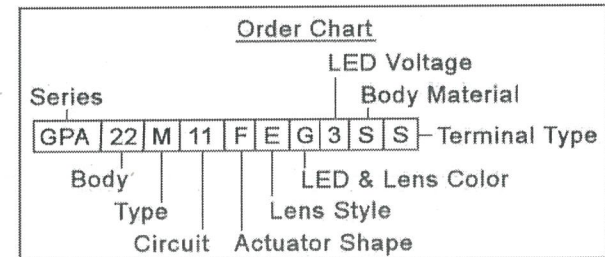
Total Travel: 3.2mm (max.)

Protection Level: IP68, IK10 (Above the panel)

Nut Torque: 5~14Nm



Panel Cutout Ø22 mm  
(Panel thickness : 14 mm MAX)



NOTE: TOLERANCES UNLESS OTHERWISE SPECIFIED : ± 0.5 (mm).

**MASTER**

PK-22M11FEG3S-ANGA-CW

**CW INDUSTRIES**  
Southampton, Pa. 18966  
Tel 215.355.7080/www.cwind.com

Date Drawn: DW 11/19/24 Rev. 2

Unit: mm

Checked By: *G. GULD*

Title: ILLUMINATED  
12V GREEN LED  
ANTI-VANDAL SWITCH

CW P/N:  
**GPA22M11FEG3SS**

2 Redrawn. Corrected views. DW 10/01/25

1 Updated notes & removed description of LED color & voltage chart. DW 3/06/25