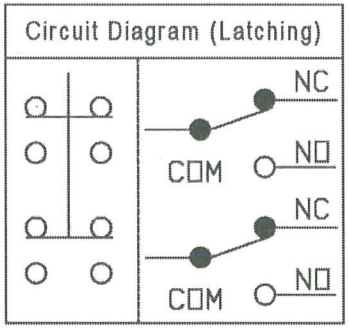
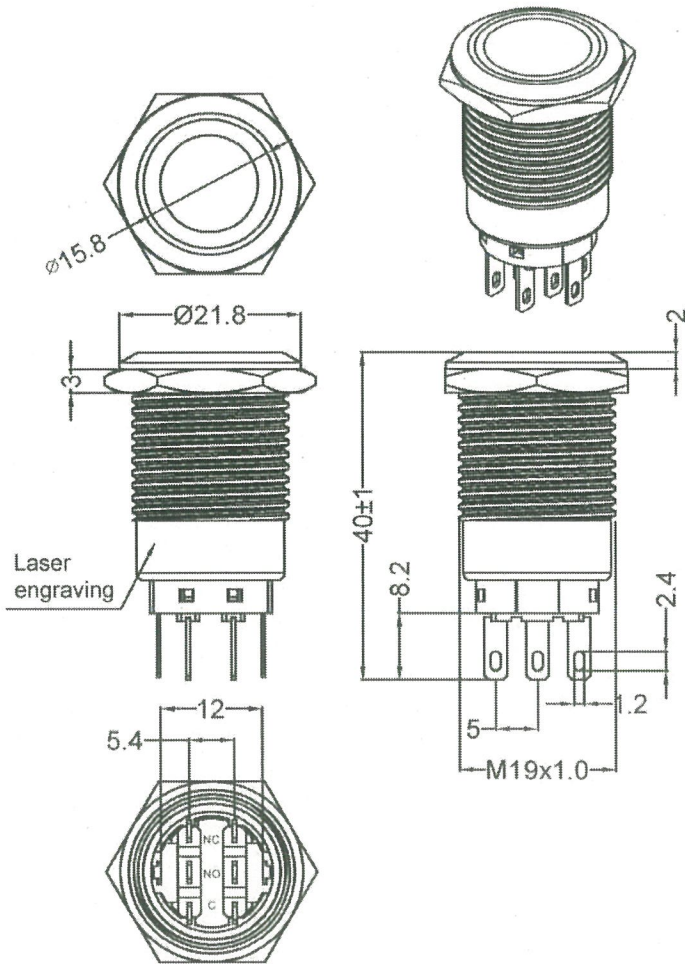
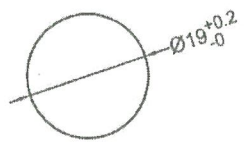


THIS INFORMATION IS CONFIDENTIAL AND PROPRIETARY TO CW INDUSTRIES INCORPORATED AND ITS AFFILIATES. IT MAY NOT BE DISCLOSED TO ANYONE, OTHER THAN CW INDUSTRIES PERSONNEL, WITHOUT WRITTEN AUTHORIZATION FROM CW INDUSTRIES INCORPORATED, SOUTHAMPTON, PENNSYLVANIA USA.



Accessories package	
Silicon o-ring	Hex nuts
Accessories are not locked when shipped	



Panel Cutout Ø19 mm  
(Panel thickness: 10mm Max.)

**Rating:** 6A 125/250V~µ 5E4  
6A 3~ 48VDC µ 3E4  
**Contact Resistance:** 50mΩ (max.) initial  
**Insulation Resistance:** 100MΩ (min.)  
**Actuator Shape:** Flat  
**Type:** DPDT Latching  
**Body Material:** Stainless Steel  
**Actuator:** Stainless Steel  
**Lens Style:** Ring  
**LED Color:** Green  
**LED Voltage:** 6VDC  
**Lens Color:** Green  
**Dielectric Strength:** 500VAC for 1 minute  
**Mechanical Life:** 1,000,000 cycles  
**Operation Force:** 350g ± 150g  
**Total Travel:** 3.2mm (max.)  
**Protection Level:** IP68, IK10 (Above the panel)  
**Nut Torque:** 5~14Nm

Order Chart									
Series	LED Voltage			Body Material			Terminal Type		
GPA	19	Z	23	F	E	G	2	S	S
Body Type	LED & Lens Color			Lens Style			Circuit Actuator Shape		

NOTE: TOLERANCES UNLESS OTHERWISE SPECIFIED : ± 0.5 (mm).

**MASTER**

PK-19Z23FEG2SS-ANGA-CW

**CW INDUSTRIES**  
Southampton, Pa. 18966  
Tel 215.355.7080/www.cwind.com

Date Drawn: DW 4/29/25 Rev. 2

Unit: mm Checked By: *G. GOLD*

Title: **ILLUMINATED  
6V GREEN LED  
ANTI-VANDAL SWITCH**

CW P/N:  
**GPA19Z23FEG2SS**

- 2 Changed panel thk. from 14mm to 10mm. DW 10/29/25
- 1 Updated PK#. DW 6/24/25