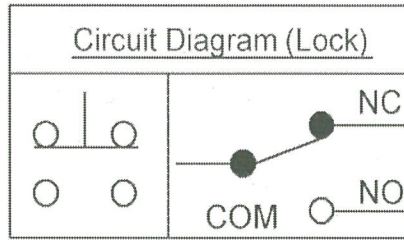
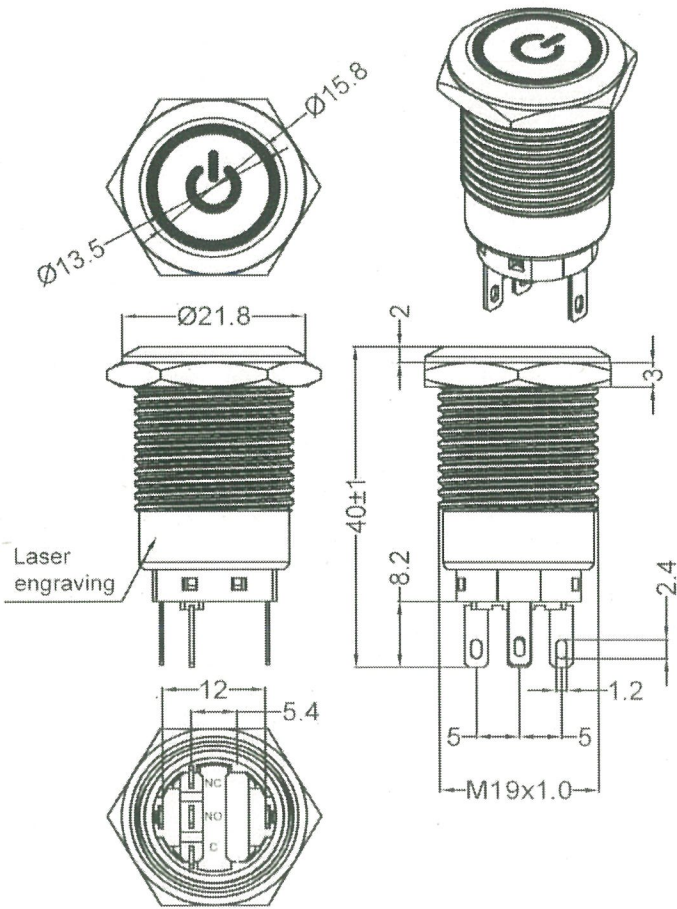
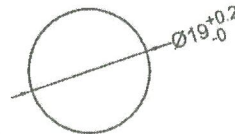


THIS INFORMATION IS CONFIDENTIAL AND PROPRIETARY TO CW INDUSTRIES INCORPORATED AND ITS AFFILIATES. IT MAY NOT BE DISCLOSED TO ANYONE, OTHER THAN CW INDUSTRIES PERSONNEL, WITHOUT WRITTEN AUTHORIZATION FROM CW INDUSTRIES INCORPORATED, SOUTHAMPTON, PENNSYLVANIA USA.



Accessories package	
Silicon o-ring	Hex nuts
Accessories are not locked when shipped	



Panel Cutout Ø19 mm
(Panel thickness: 10mm Max.)

Rating: 6A 125/250V~µ 5E4
6A 3~ 48VDC µ 3E4
Contact Resistance: 50mΩ (max.) initial
Insulation Resistance: 100MΩ (min.)
Actuator Shape: Flat
Type: SPDT, Latching
Body Material: Ni Plated Brass
Actuator: Ni Plated Brass
Lens Style: Power Symbol & Ring
LED Color: White
LED Voltage: 12 VDC
Lens Color: White
Dielectric Strength: 500VAC for 1 minute
Mechanical Life: 1,000,000 cycles
Operation Force: 350g ± 150g
Total Travel: 3.2mm (max.)
Protection Level: IP68, IK10 (Above the panel)
Nut Torque: 5~14Nm

Order Chart

Series		LED Voltage		Body Material		Terminal Type	
GPA	19	Z	13	F	Q	W	3
Body Type		LED & Lens Color		LED Style		Actuator Shape	
Circuit		Lens Style		Actuator Shape		Terminal Type	

NOTE: TOLERANCES UNLESS OTHERWISE SPECIFIED : ± 0.5 (mm).

MASTER

PK-19Z13FQW3NS-ANT-CW

CW INDUSTRIES
Southampton, Pa. 18966
Tel 215.355.7080/www.cwind.com

Date Drawn: DW 5/6/25

Rev. 1

Unit: mm

Checked By: *G. GULD*

Title: PUSH BUTTON
ANTI-VANDAL SWITCH
12V WHITE LED

CW P/N:

GPA19Z13FQW3NS

1 Change panel thickness from 14mm to 10mm.
DW 11/4/25