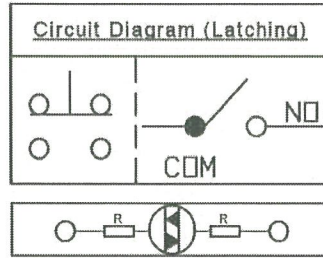
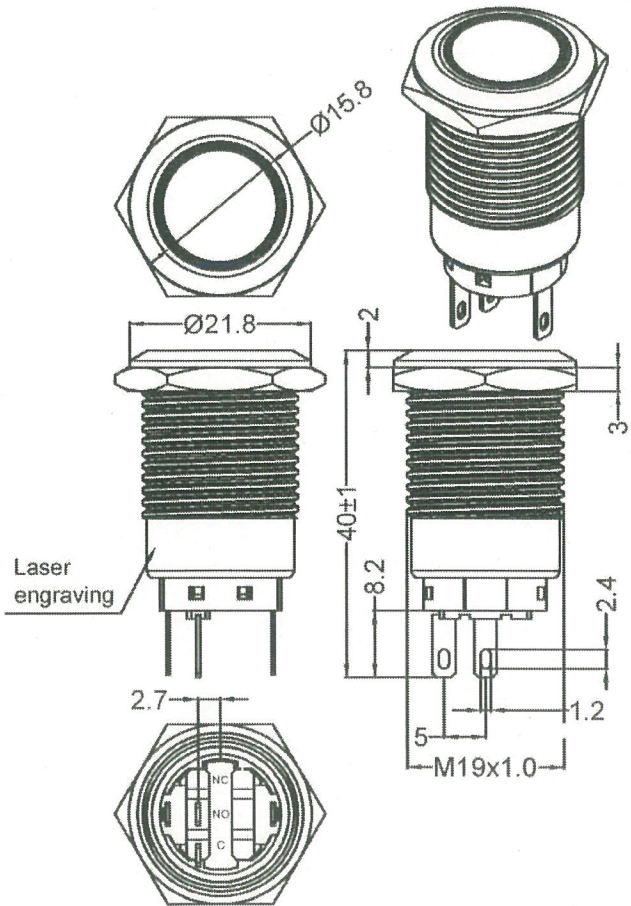
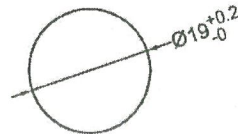


THIS INFORMATION IS CONFIDENTIAL AND PROPRIETARY TO CW INDUSTRIES INCORPORATED AND ITS AFFILIATES. IT MAY NOT BE DISCLOSED TO ANYONE, OTHER THAN CW INDUSTRIES PERSONNEL, WITHOUT WRITTEN AUTHORIZATION FROM CW INDUSTRIES INCORPORATED, SOUTHAMPTON, PENNSYLVANIA USA.



Accessories package	
Silicon o-ring	Hex nuts
Accessories are not locked when shipped	



Panel Cutout $\varnothing 19$ mm
(Panel thickness: 10mm Max.)

Rating: 6A 125/250V~ μ 5E4
6A 3~ 48VDC μ 3E4
Contact Resistance: 50m Ω (max.) initial
Insulation Resistance: 100M Ω (min.)
Actuator Shape: Flat
Type: SPST, Latching
Body Material: Stainless Steel
Actuator: Stainless Steel
Lens Style: Ring
LED Color: Blue
LED Voltage: 12 VDC
Lens Color: Blue
Dielectric Strength: 500VAC for 1 minute
Mechanical Life: 1,000,000 cycles
Operation Force: 350g \pm 150g
Total Travel: 3.2mm (max.)
Protection Level: IP68, IK10 (Above the panel)
Nut Torque: 5~14Nm

Order Chart									
Series		LED Voltage		Body Material		Terminal Type			
GPA	19	Z	11	F	E	U	3	S	S
Body Type		LED & Lens Color		Lens Style		Actuator Shape			

NOTE: TOLERANCES UNLESS OTHERWISE SPECIFIED : ± 0.5 (mm).

MASTER

PK19Z11FEU3SS-ANUA-CW

CW INDUSTRIES
Southampton, Pa. 18966
Tel 215.355.7080/www.cwind.com

Date Drawn: DW 2/19/25 Rev. 3
Unit: mm
Checked By: *G. GULD*
Title: PUSH BUTTON
ANTI-VANDAL SWITCH
12V BLUE LED

CW P/N:
GPA19Z11FEU3SS

- 3 Change panel thickness from 14mm to 10mm. DW 11/4/25
- 2 Updated PK #. DW 6/19/25
- 1 Updated notes & removed description of LED color & voltage chart. DW 2/28/25