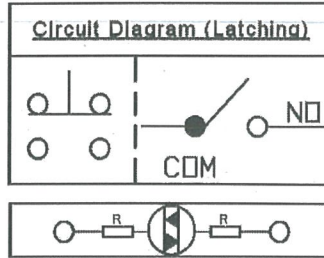
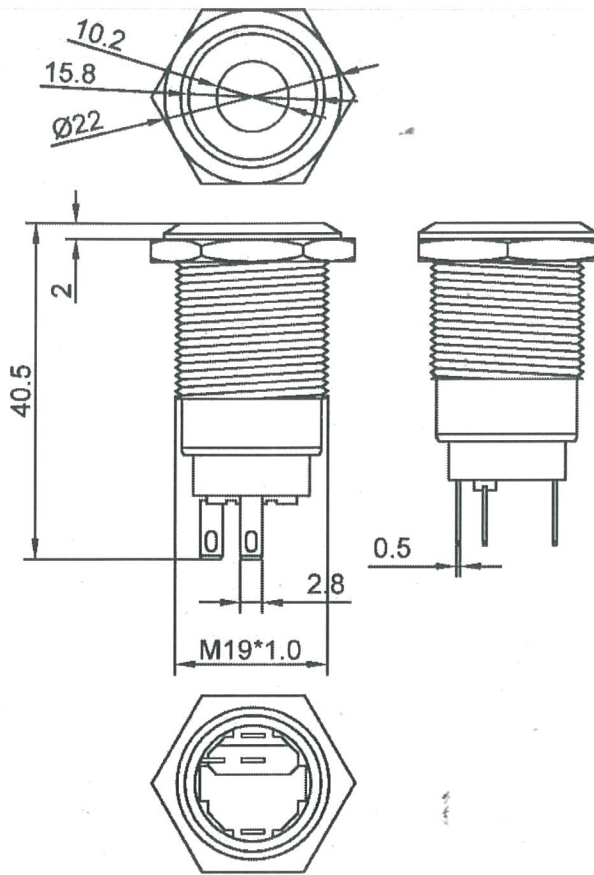
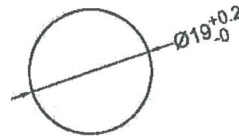


THIS INFORMATION IS CONFIDENTIAL AND PROPRIETARY TO CW INDUSTRIES INCORPORATED AND ITS AFFILIATES. IT MAY NOT BE DISCLOSED TO ANYONE, OTHER THAN CW INDUSTRIES PERSONNEL, WITHOUT WRITTEN AUTHORIZATION FROM CW INDUSTRIES INCORPORATED, SOUTHAMPTON, PENNSYLVANIA USA.



Accessories package	
Silicon o-ring	Hex nuts
Accessories are not locked when shipped	



Panel Cutout Ø19 mm  
(Panel thickness: 10 mm Max.)

**Rating: 6A 125/250V~μ 5E4**  
**6A 3~ 48VDC μ 3E4**  
**Contact Resistance: 50mΩ (max.) initial**  
**Insulation Resistance: 100MΩ (min.)**  
**Actuator Shape: Flat**  
**Type: SPST, Latching**  
**Body Material: Aluminum Oxidation, Color- Black**  
**Actuator: Aluminum Oxidation, Color- Black**  
**Lens Style: Spot**  
**LED Color: Blue**  
**LED Voltage: 12 VDC**  
**Lens Color: Blue**  
**Dielectric Strength: 500VAC for 1 minute**  
**Mechanical Life: 1,000,000 cycles**  
**Operation Force: 350g ± 150g**  
**Total Travel: 3.2mm (max.)**  
**Protection Level: IP68, IK10 (Above the panel)**  
**Nut Torque: 5~14Nm**

Order Chart										
Series		LED Voltage			Body Material					
GPA	19	Z	11	F	D	U	3	A	S	Terminal Type
Body Type		LED & Lens Color			Lens Style					
Circuit		Actuator Shape								

NOTE: TOLERANCES UNLESS OTHERWISE SPECIFIED : ± 0.5 (mm).

**MASTER**

PK-19Z11FDU3AS-ABUA-CW

**CW INDUSTRIES**  
 Southampton, Pa. 18966  
 Tel 215.355.7080/www.cwind.com

Date Drawn: DW 8/14/25 Rev. 2  
 Title: PUSH BUTTON  
 ANTI-VANDAL SWITCH  
 12V BLUE LED

Unit: mm  
 Checked By: *G. GULD*  
 CW P/N:  
**GPA19Z11FDU3AS**

- 2 Corrected Lens Style from Ring to Spot. DW 2/11/26
- 1 Changed panel thk. from 14mm to 10mm. DW 10/29/25