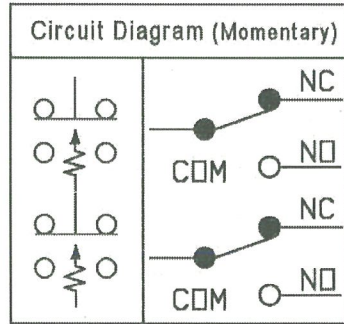
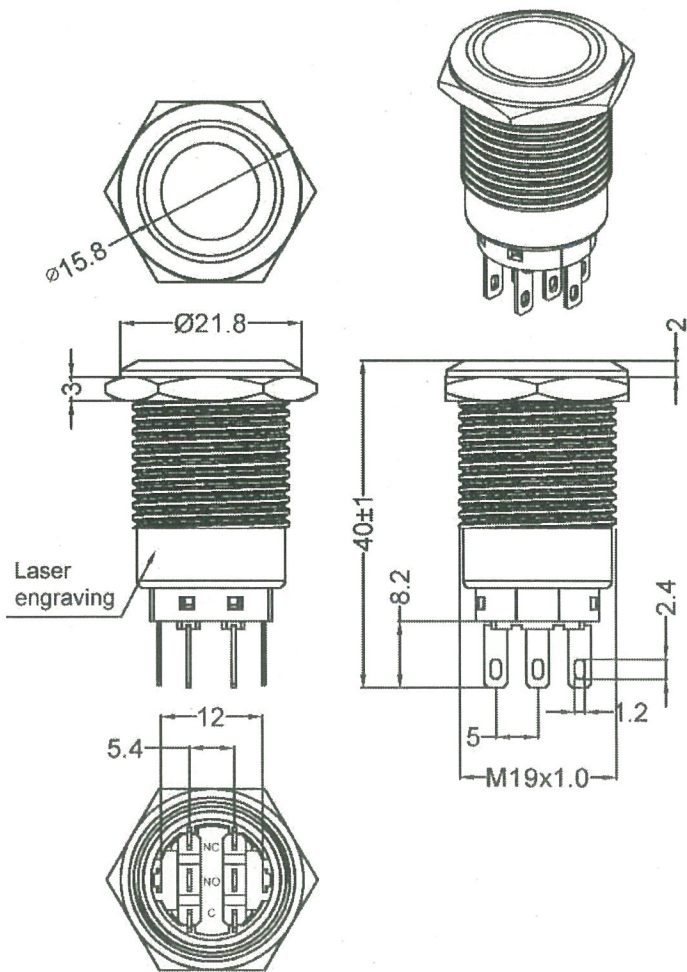
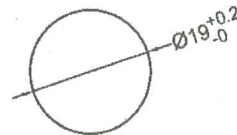


THIS INFORMATION IS CONFIDENTIAL AND PROPRIETARY TO CW INDUSTRIES INCORPORATED AND ITS AFFILIATES. IT MAY NOT BE DISCLOSED TO ANYONE, OTHER THAN CW INDUSTRIES PERSONNEL, WITHOUT WRITTEN AUTHORIZATION FROM CW INDUSTRIES INCORPORATED, SOUTHAMPTON, PENNSYLVANIA USA.



Accessories package	
Silicon o-ring	Hex nuts
Accessories are not locked when shipped	



Panel Cutout  $\varnothing 19$  mm  
(Panel thickness: 10 mm Max.)

Rating: 6A 125/250V~ $\mu$  5E4  
6A 3~ 48VDC  $\mu$  3E4  
Contact Resistance: 50m $\Omega$  (max.) initial  
Insulation Resistance: 100M $\Omega$  (min.)  
Actuator Shape: Flat  
Type: DPDT Momentary  
Body Material: Aluminum Black Anodized  
Actuator: Aluminum Black Anodized  
Lens Style: Ring  
LED Color: White  
LED Voltage: 12VDC  
Lens Color: White  
Dielectric Strength: 500VAC for 1 minute  
Mechanical Life: 1,000,000 cycles  
Operation Force: 350g  $\pm$  150g  
Total Travel: 3.2mm (max.)  
Protection Level: IP68, IK10 (Above the panel)  
Nut Torque: 5~14Nm

Order Chart									
Series	LED Voltage			Body Material			Terminal Type		
GPA	19	M	23	F	E	W	3	A	S
Body Type	LED & Lens Color			Lens Style			Actuator Shape		

NOTE: TOLERANCES UNLESS OTHERWISE SPECIFIED :  $\pm 0.5$  (mm).

**MASTER**

PK-19M23FEW3AS-ABTA-CW

**CW INDUSTRIES**  
Southampton, Pa. 18966  
Tel 215.355.7080/www.cwind.com

Date Drawn: DW 10/01/25 Rev.1  
Title: ILLUMINATED  
12V GREEN LED  
ANTI-VANDAL SWITCH

Unit: mm Checked By: *G. GOLD*  
CW P/N:  
**GPA19M23FEW3AS**

1 Changed panel thk. from 14mm to 10mm.  
DW 10/29/25