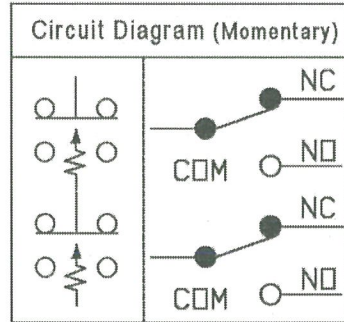
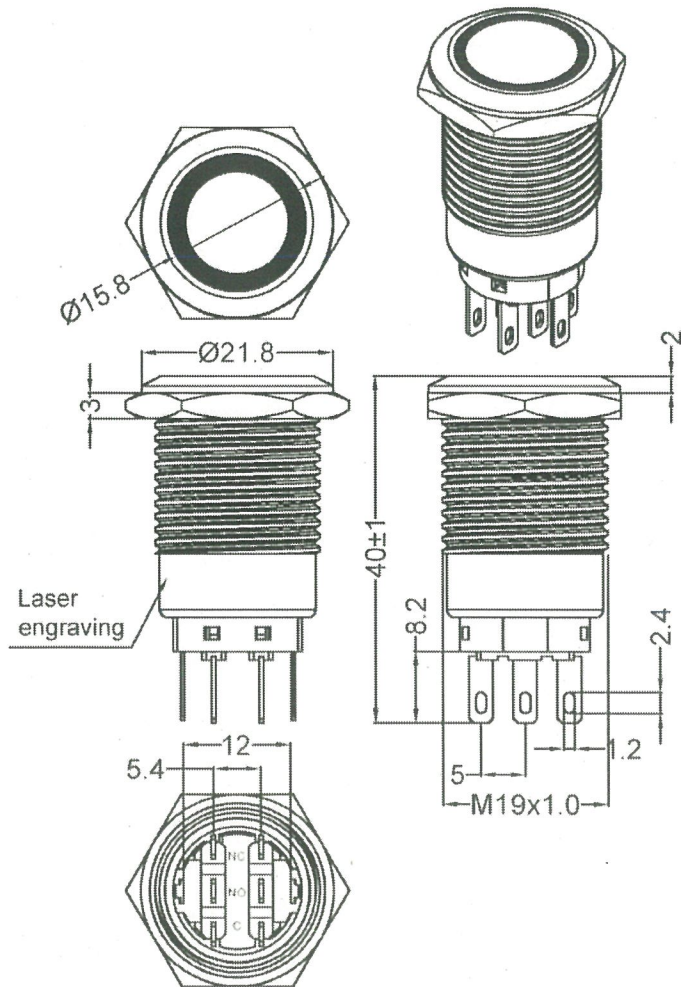
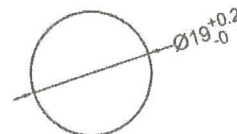


THIS INFORMATION IS CONFIDENTIAL AND PROPRIETARY TO CW INDUSTRIES INCORPORATED AND ITS AFFILIATES. IT MAY NOT BE DISCLOSED TO ANYONE, OTHER THAN CW INDUSTRIES PERSONNEL, WITHOUT WRITTEN AUTHORIZATION FROM CW INDUSTRIES INCORPORATED, SOUTHAMPTON, PENNSYLVANIA USA.



| Accessories package | |
|---|----------|
| Silicon o-ring | Hex nuts |
| | |
| Accessories are not locked when shipped | |



Panel Cutout $\varnothing 19$ mm
(Panel thickness: 10 mm Max.)

Rating: 6A 125/250V~ μ 5E4
6A 3~ 48VDC μ 3E4
Contact Resistance: 50m Ω (max.) initial
Insulation Resistance: 100M Ω (min.)
Actuator Shape: Flat
Type: DPDT Momentary
Body Material: Stainless Steel
Actuator: Stainless Steel
Lens Style: Ring
LED Color: Blue
LED Voltage: 3VDC
Lens Color: Blue
Dielectric Strength: 500VAC for 1 minute
Mechanical Life: 1,000,000 cycles
Operation Force: 350g \pm 150g
Total Travel: 3.2mm (max.)
Protection Level: IP68, IK10 (Above the panel)
Nut Torque: 5~14Nm

| Order Chart | | | | | | | | | |
|-------------|----|------------------|----------------|---------------|---|---------------|---|---|---|
| Series | | LED Voltage | | Body Material | | Terminal Type | | | |
| GPA | 19 | M | 23 | F | E | U | 1 | S | S |
| Body Type | | LED & Lens Color | | Lens Style | | | | | |
| Circuit | | | Actuator Shape | | | | | | |

NOTE: TOLERANCES UNLESS OTHERWISE SPECIFIED : ± 0.5 (mm).

MASTER

PK-19M23FEU1SS-ANUA-CW

CW INDUSTRIES
Southampton, Pa. 18966
Tel 215.355.7080/www.cwind.com

Date Drawn: DW 6/26/25

Rev. 1

Unit: mm

Checked By:

G. GOLD

Title: ILLUMINATED
3V BLUE LED
ANTI-VANDAL SWITCH

CW P/N:

GPA19M23FEU1SS

1 Changed panel thk. from 14mm to 10mm.
DW 10/29/25