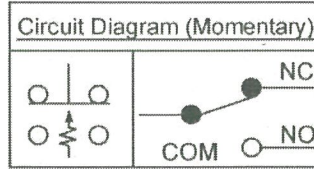
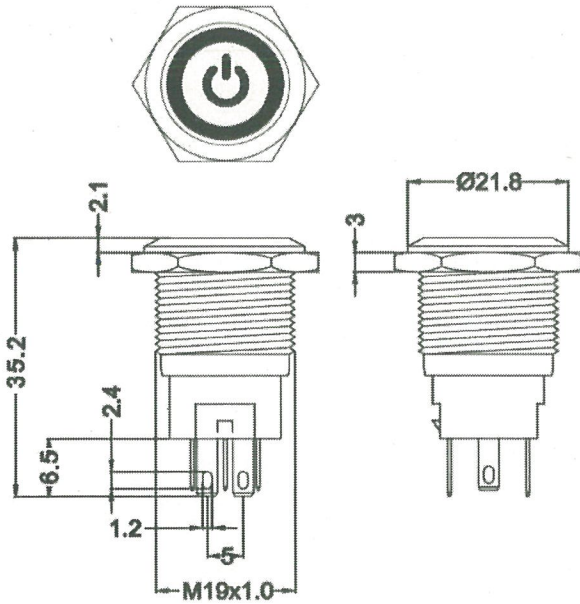
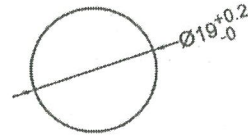


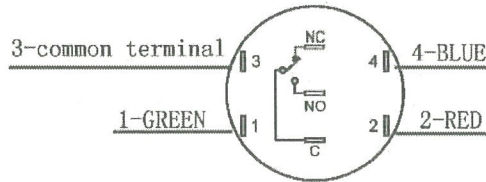
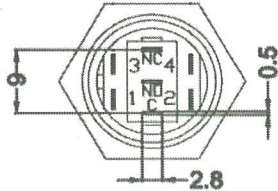
THIS INFORMATION IS CONFIDENTIAL AND PROPRIETARY TO CW INDUSTRIES INCORPORATED AND ITS AFFILIATES. IT MAY NOT BE DISCLOSED TO ANYONE, OTHER THAN CW INDUSTRIES PERSONNEL, WITHOUT WRITTEN AUTHORIZATION FROM CW INDUSTRIES INCORPORATED, SOUTHAMPTON, PENNSYLVANIA USA.



Accessories package	
Silicon o-ring	Hex nuts
Accessories are not locked when shipped	



Panel Cutout Ø19 mm  
(Panel thickness : 10 mm MAX)



Rating: 6A 125/250V~μ 5E4  
6A 3~ 48VDC μ 3E4  
Contact Resistance: 50mΩ (max.) initial  
Insulation Resistance: 100MΩ (min.)  
Actuator Shape: Flat  
Type: SPDT, Momentary  
Body Material: Stainless Steel  
Actuator: Stainless Steel  
Lens Style: Ring & Power Symbol  
LED Color: Red, Green, Blue  
LED Voltage: 3VDC  
Lens Color: White Transparent  
Dielectric Strength: 500VAC for 1 minute  
Mechanical Life: 1,000,000 cycles  
Operation Force: 350g ± 150g  
Total Travel: 3.2mm (max.)  
Protection Level: IP68, IK10 (Above the panel)  
Nut Torque: 5~14Nm

Order Chart										
Series			LED Voltage				Body Material			
GPA	19	M	13	F	Q	1	1	S	S	Terminal Type
Body Type		Circuit		Actuator Shape		LED & Lens Color				Lens Style

NOTE: TOLERANCES UNLESS OTHERWISE SPECIFIED : ± 0.5 (mm).

**MASTER**

PK-19M13FQ11SS-ANTB-CW

**CW INDUSTRIES**  
Southampton, Pa. 18966  
Tel 215.355.7080/www.cwind.com

Date Drawn: DW 11/22/24 Rev. 3

Unit: mm

Checked By: *G. GOLD*

3 Redrawn. Updated bot. schematics view.  
DW 10/28/25

Title: PUSH BUTTON  
ANTI-VANDAL SWITCH  
3VDC Red, Green, Blue LED

CW P/N:  
**GPA19M13FQ11SS**

2 Redrawn. Added replaced Schematics with new one. DW 7/28/25

1 Updated notes & removed description of LED color & voltage chart. DW 3/5/25