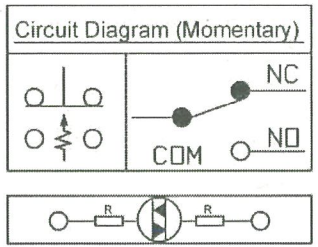
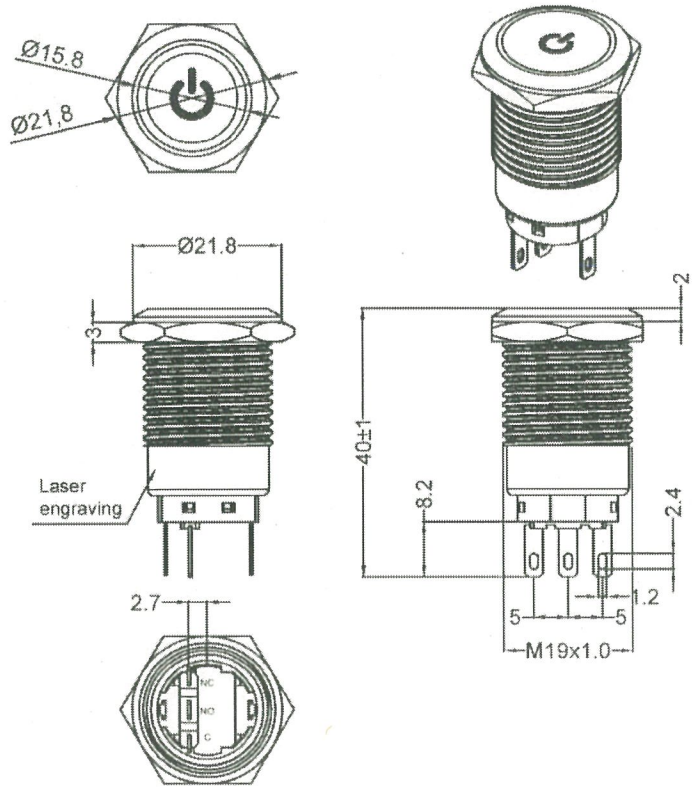
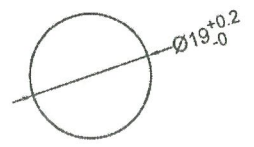


THIS INFORMATION IS CONFIDENTIAL AND PROPRIETARY TO CW INDUSTRIES INCORPORATED AND ITS AFFILIATES. IT MAY NOT BE DISCLOSED TO ANYONE, OTHER THAN CW INDUSTRIES PERSONNEL, WITHOUT WRITTEN AUTHORIZATION FROM CW INDUSTRIES INCORPORATED, SOUTHAMPTON, PENNSYLVANIA USA.



| Accessories package                     |          |
|---|----------|
| Silicon o-ring                          | Hex nuts |
|   |          |
| Accessories are not locked when shipped |          |



Panel Cutout Ø19 mm  
(Panel thickness: 10 mm Max.)

Rating: 6A 125/250V~µ 5E4  
6A 3~ 48VDC µ 3E4  
Contact Resistance: 50mΩ (max.) initial  
Insulation Resistance: 100MΩ (min.)  
Actuator Shape: Flat  
Type: SPDT Momentary  
Body Material: Aluminum Oxide/Color: Black  
Actuator: Aluminum Oxide/Color: Black  
Lens Style: Power Symbol  
LED Color: White  
LED Voltage: 48VDC  
Lens Color: Light White Transparent  
Dielectric Strength: 500VAC for 1 minute  
Mechanical Life: 1,000,000 cycles  
Operation Force: 350g ± 150g  
Total Travel: 3.2mm (max.)  
Protection Level: IP68, IK10 (Above the panel)  
Nut Torque: 5~14Nm

| Order Chart |    |   |                  |   |   |   |               |   |   |
|-------------|----|---|------------------|---|---|---|---------------|---|---|
| Series      |    |   | LED Voltage      |   |   |   | Body Material |   |   |
| GPA         | 19 | M | 13               | F | P | W | 6             | A | S |
| Body Type   |    |   | LED & Lens Color |   |   |   | Terminal Type |   |   |
| Circuit     |    |   | Actuator Shape   |   |   |   |               |   |   |

NOTE: TOLERANCES UNLESS OTHERWISE SPECIFIED : ± 0.5 (mm).

**MASTER**

PK-19M13FPW6AS-ABTA-CW

|  |  |        |                                  |                            |
|--|--|--------|----------------------------------|----------------------------|
| <b>CW INDUSTRIES</b><br>Southampton, Pa. 18966<br>Tel 215.355.7080/www.cwind.com | Date Drawn: DW 11/18/24  | Rev. 2 | Unit: mm                         | Checked By: <i>G. Gold</i> |
|  | Title: PUSH BUTTON<br>ANTI-VANDAL SWITCH<br>48VDC WHITE LED SWITCH |        | CW P/N:<br><b>GPA19M13FPW6AS</b> |                            |