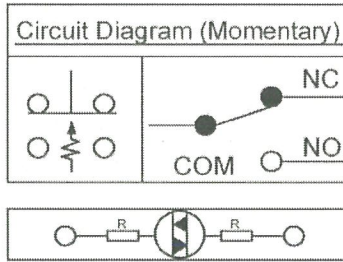
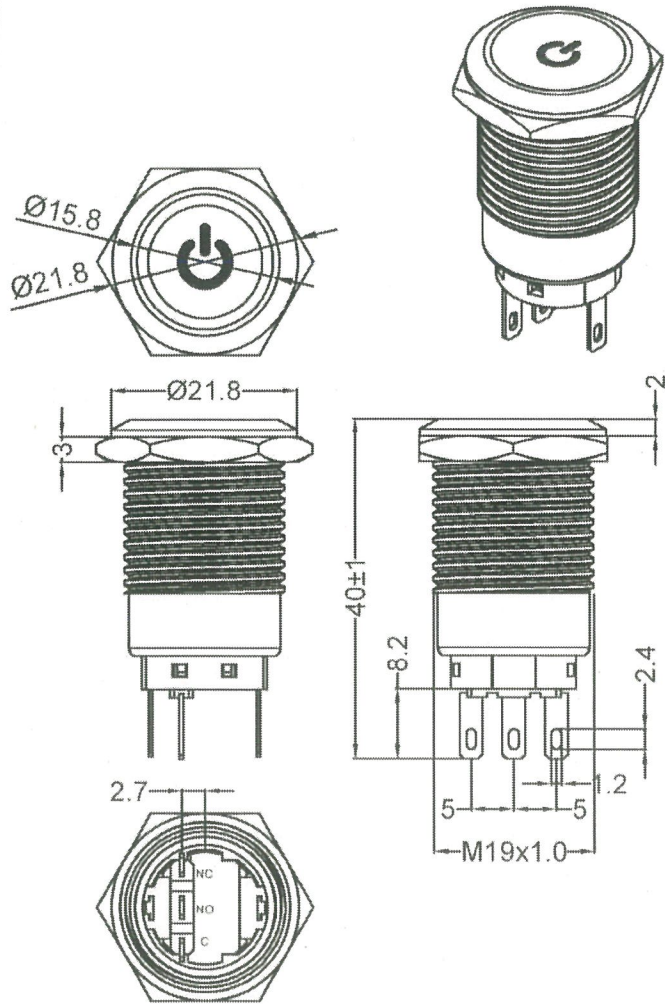


THIS INFORMATION IS CONFIDENTIAL AND PROPRIETARY TO CW INDUSTRIES INCORPORATED AND ITS AFFILIATES. IT MAY NOT BE DISCLOSED TO ANYONE, OTHER THAN CW INDUSTRIES PERSONNEL, WITHOUT WRITTEN AUTHORIZATION FROM CW INDUSTRIES INCORPORATED, SOUTHAMPTON, PENNSYLVANIA USA.



Accessories package	
Silicon o-ring	Hex nuts
Accessories are not locked when shipped	

Panel Cutout $\text{Ø}19 \text{ mm}$
(Panel thickness: 10 mm Max.)

Rating: 6A 125/250V~ μ 5E4
6A 3~ 48VDC μ 3E4
Contact Resistance: 50m Ω (max.) initial
Insulation Resistance: 100M Ω (min.)
Actuator Shape: Flat
Type: SPDT (Momentary)
Body Material: Aluminum Oxide/Color: Black
Actuator: Aluminum Oxide/Color: Black
Lens Style: Power Symbol
LED Color: White
LED Voltage: 12VDC
Lens Color: White
Dielectric Strength: 500VAC for 1 minute
Mechanical Life: 1,000,000 cycles
Operation Force: 350g \pm 150g
Total Travel: 3.2mm (max.)
Protection Level: IP68, IK10 (Above the panel)
Nut Torque: 5~14Nm

ORDER CHART									
Series	Actuator Shape							Terminal Type	
GPA	19MM	M	13	F	P	W	3	A	S
	Body	Type	Circuit					Body Material	LED Voltage
								LED Color	Lens Style

Tolerances unless otherwise specified: $\pm 0.5 \text{ mm}$

MASTER

PK-19M13FPW3AS-ABTA-CW

CW INDUSTRIES
Southampton, Pa. 18966
Tel 215.355.7080/www.cwind.com

Date Drawn: DW 10/15/24 Rev. 2
Title: PUSH BUTTON
ANTI-VANDAL SWITCH
12V WHITE LED

Unit: mm
Checked By: *G. GOLD*
CW P/N: **GPA19M13FPW3AS**

2 Change panel thickness from 14mm to 10mm.
DW 11/4/25
1 Updated notes & removed description of LED color & voltage chart. DW 3/5/25