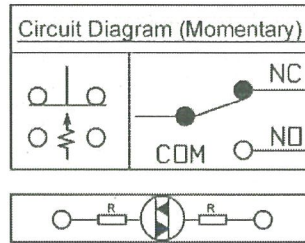
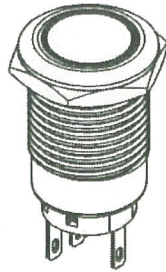
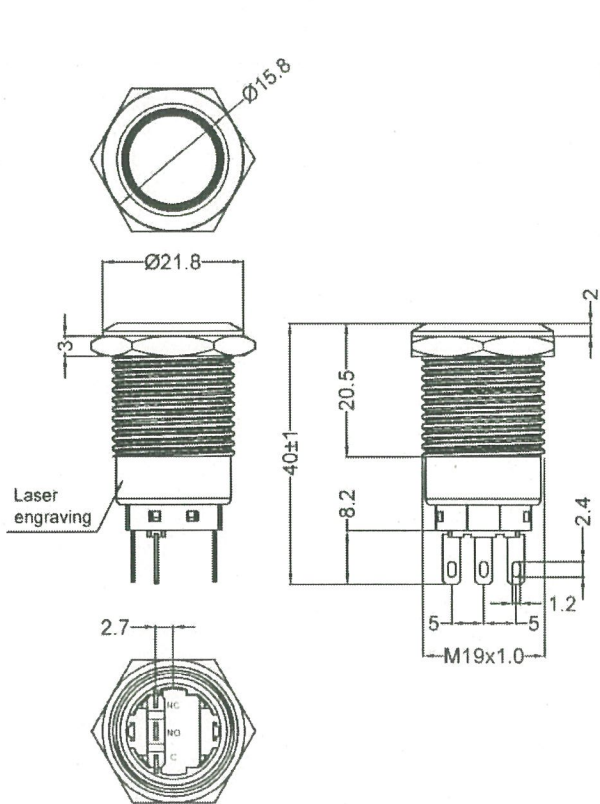
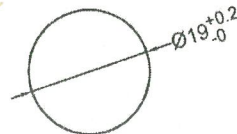


THIS INFORMATION IS CONFIDENTIAL AND PROPRIETARY TO CW INDUSTRIES INCORPORATED AND ITS AFFILIATES. IT MAY NOT BE DISCLOSED TO ANYONE, OTHER THAN CW INDUSTRIES PERSONNEL, WITHOUT WRITTEN AUTHORIZATION FROM CW INDUSTRIES INCORPORATED, SOUTHAMPTON, PENNSYLVANIA USA.



Accessories package	
Silicon o-ring	Hex nuts
Accessories are not locked when shipped	



Panel Cutout Ø19 mm  
(Panel thickness: 10 mm Max.)

Rating: 6A 125/250V~µ 5E4  
 - 6A 3~ 48VDC µ 3E4  
 Contact Resistance: 50mΩ (max.) initial  
 Insulation Resistance: 100MΩ (min.)  
 Actuator Shape: Flat  
 Type: SPDT Momentary  
 Body Material: Aluminum Oxide/Color: Black  
 Actuator : Aluminum Oxide/Color: Black  
 Lens Style: Ring  
 LED Color: Blue  
 LED Voltage: 48VDC  
 Lens Color: Blue  
 Dielectric Strength: 500VAC for 1 minute  
 Mechanical Life: 1,000,000 cycles  
 Operation Force: 350g ± 150g  
 Total Travel: 3.2mm (max.)  
 Protection Level: IP68, IK10 (Above the panel)  
 Nut Torque: 5~14Nm

Order Chart									
Series			LED Voltage				Body Material		
GPA	19	M	13	F	E	U	6	A	S
Body Type			LED & Lens Color				Terminal Type		
Circuit			Lens Style				Actuator Shape		

NOTE: TOLERANCES UNLESS OTHERWISE SPECIFIED : ± 0.5 (mm).

**MASTER**

PK-19M13FEU6AS-ABUA-CW

**CW INDUSTRIES**  
 Southampton, Pa. 18966  
 Tel 215.355.7080/www.cwind.com

Date Drawn: DW 11/18/24 Rev. 2  
 Title: PUSH BUTTON  
 ANTI-VANDAL SWITCH  
 48V BLUE LED

Unit: mm  
 Checked By: *G. Guld*  
 CW P/N:  
**GPA19M13FEU6AS**

- 2 Change panel thickness from 14mm to 10mm. DW 11/4/25
- 1 Updated notes & removed description of LED color & voltage chart. DW 3/5/25