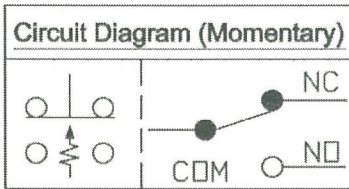
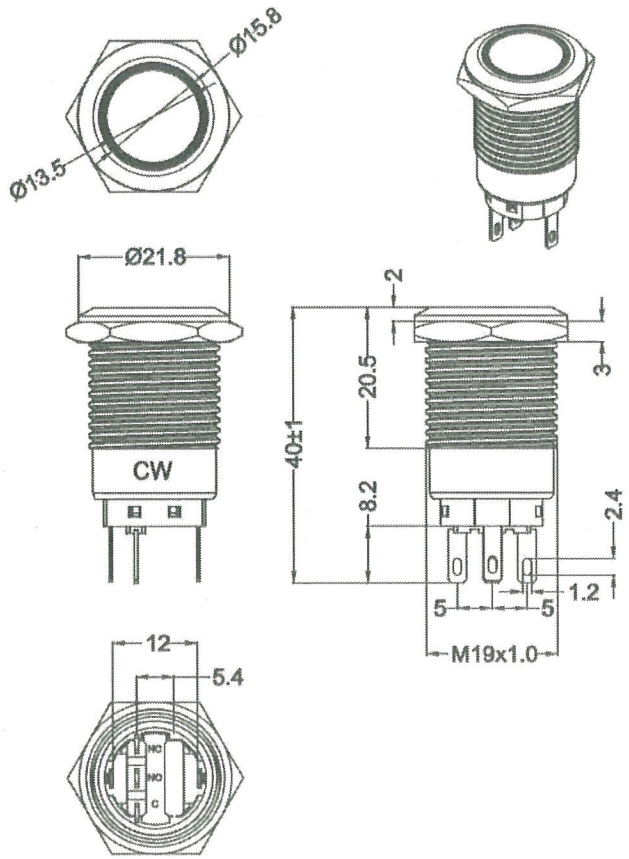
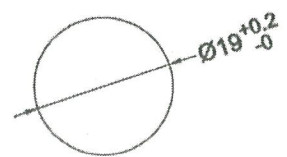


THIS INFORMATION IS CONFIDENTIAL AND PROPRIETARY TO CW INDUSTRIES INCORPORATED AND ITS AFFILIATES. IT MAY NOT BE DISCLOSED TO ANYONE, OTHER THAN CW INDUSTRIES PERSONNEL, WITHOUT WRITTEN AUTHORIZATION FROM CW INDUSTRIES INCORPORATED, SOUTHAMPTON, PENNSYLVANIA USA.



Accessories package	
Silicon o-ring	Hex nuts
Accessories are not locked when shipped	



Panel Cutout  $\varnothing 19$  mm  
(Panel thickness: 10 mm Max.)

Rating: 6A 125/250V~ $\mu$  5E4  
6A 3~ 48VDC  $\mu$  3E4  
Contact Resistance: 50m $\Omega$  (max.) initial  
Insulation Resistance: 100M $\Omega$  (min.)  
Actuator Shape: Flat  
Type: SPDT, Momentary  
Body Material: Stainless Steel  
Actuator: Stainless Steel  
Lens Style: Ring  
LED Color: Blue  
LED Voltage: 12 VDC  
Lens Color: Blue  
Dielectric Strength: 500VAC for 1 minute  
Mechanical Life: 1,000,000 cycles  
Operation Force: 350g  $\pm$  150g  
Total Travel: 3.2mm (max.)  
Protection Level: IP68, IK10 (Above the panel)  
Nut Torque: 5~14Nm

Order Chart									
Series			LED Voltage				Body Material		
GPA	19	M	13	F	E	U	3	S	S
Body Type			LED & Lens Color				Terminal Type		
Circuit		Actuator Shape		Lens Style					

NOTE: TOLERANCES UNLESS OTHERWISE SPECIFIED :  $\pm 0.5$  (mm).

**MASTER**

PK-19M13FEU3SS-ANUA-CW

 Southampton, Pa. 18966 Tel 215.355.7080/www.cwind.com	Date Drawn: DW 11/15/24	Rev. 2	Unit: mm	Checked By: <i>G. GOLD</i>	2 Change panel thickness from 14mm to 10mm. DW 11/4/25 1 Updated notes & removed description of LED color & voltage chart. DW 2/28/25
	Title: ILLUMINATED 12V, BLUE LED ANTI-VANDAL SWITCH		CW P/N: GPA19M13FEU3SS		