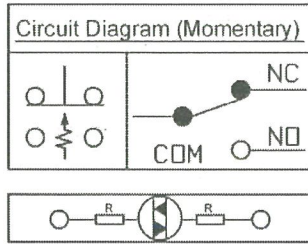
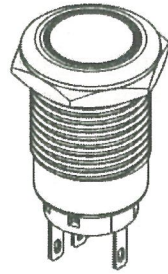
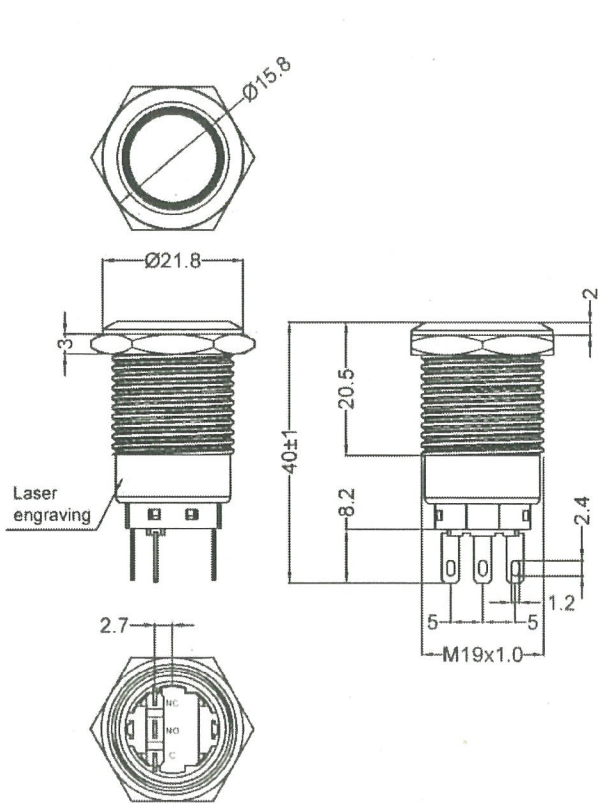
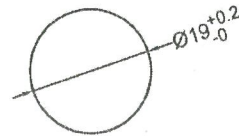


THIS INFORMATION IS CONFIDENTIAL AND PROPRIETARY TO CW INDUSTRIES INCORPORATED AND ITS AFFILIATES. IT MAY NOT BE DISCLOSED TO ANYONE, OTHER THAN CW INDUSTRIES PERSONNEL, WITHOUT WRITTEN AUTHORIZATION FROM CW INDUSTRIES INCORPORATED, SOUTHAMPTON, PENNSYLVANIA USA.



Accessories package	
Silicon o-ring	Hex nuts
Accessories are not locked when shipped	



Panel Cutout Ø19 mm
(Panel thickness: 10 mm Max.)

Rating: 6A 125/250V~µ 5E4
6A 3~ 48VDC µ 3E4
Contact Resistance: 50mΩ (max.) initial
Insulation Resistance: 100MΩ (min.)
Actuator Shape: Flat
Type: SPDT Momentary
Body Material: Aluminum Oxide/Color: Black
Actuator: Aluminum Oxide/Color: Black
Lens Style: Ring
LED Color: Red
LED Voltage: 48VDC
Lens Color: Red
Dielectric Strength: 500VAC for 1 minute
Mechanical Life: 1,000,000 cycles
Operation Force: 350g ± 150g
Total Travel: 3.2mm (max.)
Protection Level: IP68, IK10 (Above the panel)
Nut Torque: 5~14Nm

Order Chart									
Series			LED Voltage				Body Material		
GPA	19	M	13	F	E	R	6	A	S
Body Type			LED & Lens Color				Terminal Type		
Circuit			Lens Style				Actuator Shape		

NOTE: TOLERANCES UNLESS OTHERWISE SPECIFIED : ± 0.5 (mm).

PK-19M13FER6AS-ABRA-CW

MASTER

CW INDUSTRIES
Southampton, Pa. 18966
Tel 215.355.7080/www.cwind.com

Date Drawn: DW 11/18/24 Rev. 2
Unit: mm
Checked By: *G. GULD*
Title: PUSH BUTTON
ANTI-VANDAL SWITCH
48V RED LENS

CW P/N:
GPA19M13FER6AS

2 Change panel thickness from 14mm to 10mm.
DW 11/4/25
1 Updated notes & removed description of LED color & voltage chart. DW 3/5/25