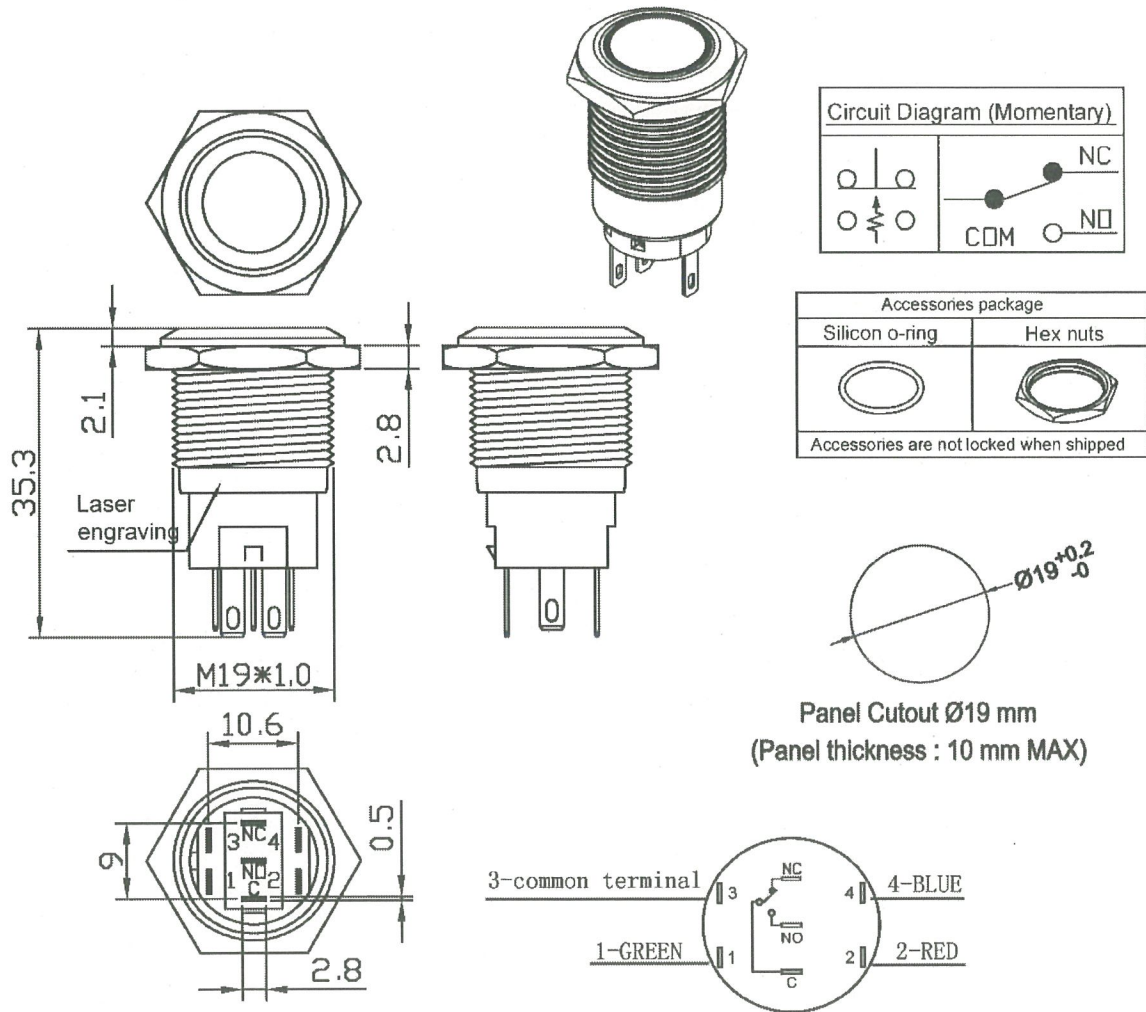


THIS INFORMATION IS CONFIDENTIAL AND PROPRIETARY TO CW INDUSTRIES INCORPORATED AND ITS AFFILIATES. IT MAY NOT BE DISCLOSED TO ANYONE, OTHER THAN CW INDUSTRIES PERSONNEL, WITHOUT WRITTEN AUTHORIZATION FROM CW INDUSTRIES INCORPORATED, SOUTHAMPTON, PENNSYLVANIA USA.



Rating: 6A 125/250V~μ 5E4
 6A 3~ 48VDC μ 3E4
 Contact Resistance: 50mΩ (max.) initial
 Insulation Resistance: 100MΩ (min.)
 Actuator Shape: Flat
 Type: SPDT Momentary
 Body Material: Stainless Steel
 Actuator: Stainless Steel
 Lens Style: Ring
 LED Color: Red/Green/Blue
 LED Voltage: 12VDC
 Lens Color: White Transparent
 Dielectric Strength: 500VAC for 1 minute
 Mechanical Life: 1,000,000 cycles
 Operation Force: 350g ± 150g
 Total Travel: 3.2mm (max.)
 Protection Level: IP68, IK10 (Above the panel)
 Nut Torque: 5~14Nm

Accessories package	
Silicon o-ring	Hex nuts
Accessories are not locked when shipped	

Order Chart									
Series		LED Voltage		Body Material					
GPA	19	M	13	F	E	1	3	S	S
Body Type			LED & Lens Color						
Circuit			Lens Style						
Actuator Shape			Terminal Type						

NOTE: TOLERANCES UNLESS OTHERWISE SPECIFIED : ± 0.5 (mm).

MASTER

PK-19M13FE13SS-ANTB-CW

CW INDUSTRIES
 Southampton, Pa. 18966
 Tel 215.355.7080/www.cwind.com

Date Drawn: DW 7/24/25 Rev. 0

Unit: mm

Checked By: *G. GULD*

Title: **PUSH BUTTON
 ANTI-VANDAL SWITCH
 12V RED, GREEN, BLUE LED**

CW P/N:
GPA19M13FE13SS

1 Redrawn. Updated bot. schematics view & Panel thickness 10mm was 14mm.
 DW 10/28/25