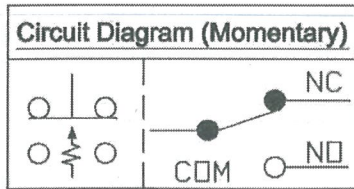
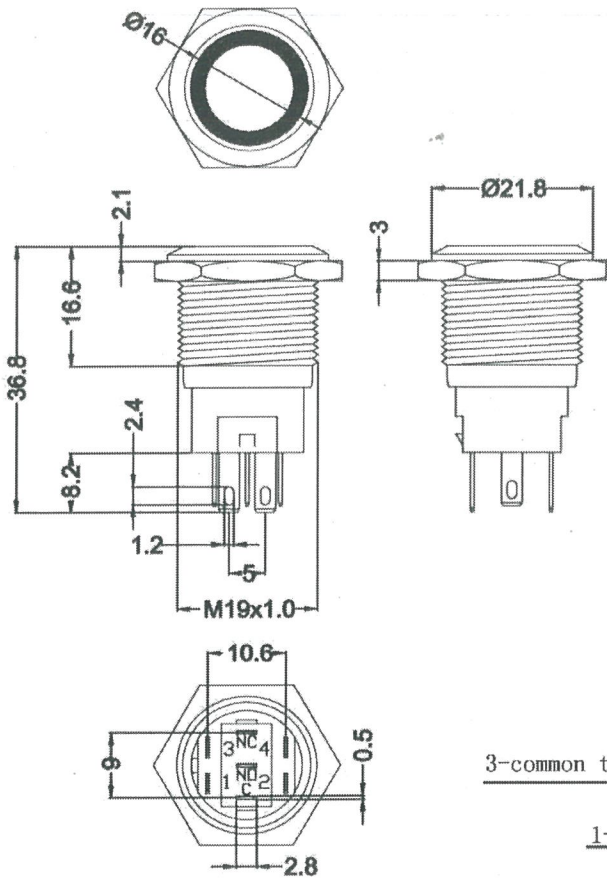
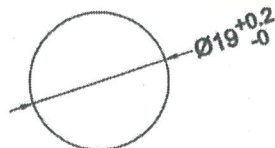


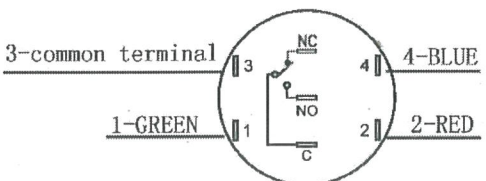
THIS INFORMATION IS CONFIDENTIAL AND PROPRIETARY TO CW INDUSTRIES INCORPORATED AND ITS AFFILIATES. IT MAY NOT BE DISCLOSED TO ANYONE, OTHER THAN CW INDUSTRIES PERSONNEL, WITHOUT WRITTEN AUTHORIZATION FROM CW INDUSTRIES INCORPORATED, SOUTHAMPTON, PENNSYLVANIA USA.



Accessories package	
Silicon o-ring	Hex nuts
Accessories are not locked when shipped	



Panel Cutout Ø19 mm  
(Panel thickness : 10 mm MAX)



Rating: 6A 125/250V~μ 5E4  
6A 3~ 48VDC μ 3E4  
Contact Resistance: 50mΩ (max.) initial  
Insulation Resistance: 100MΩ (min.)  
Actuator Shape: Flat  
Type: SPDT, Momentary  
Body Material: Stainless Steel  
Actuator: Stainless Steel  
Lens Style: Ring  
LED Color: Red, Green, Blue  
LED Voltage: 3VDC  
Lens Color: White Transparent  
Dielectric Strength: 500VAC for 1 minute  
Mechanical Life: 1,000,000 cycles  
Operation Force: 350g ± 150g  
Total Travel: 3.2mm (max.)  
Protection Level: IP68, IK10 (Above the panel)  
Nut Torque: 5~14Nm

**Order Chart**

Series	LED Voltage		Body Material		Terminal Type
GPA	19	M	13	FE	
Body Type	Circuit	Actuator Shape	LED & Lens Color		

NOTE: TOLERANCES UNLESS OTHERWISE SPECIFIED : ± 0.5 (mm).

**MASTER**

PK-19M13FE11S-ANTB-CW

**CW INDUSTRIES**  
Southampton, Pa. 18966  
Tel 215.355.7080/www.cwind.com

Date Drawn: DW 11/15/24 Rev. 3  
Title: ILLUMINATED  
3V RED, GREEN, BLUE  
ANTI-VANDAL SWITCH

Unit: mm Checked By: *G. GOLD*  
CW P/N: **GPA19M13FE11SS**

- 3 Redrawn. Updated bot. schematics view. DW 10/27/25
- 2 Redrawn. Added replaced Schematics with new one. DW 7/28/25
- 1 Updated notes & removed description of LED color & voltage chart. DW 2/28/25