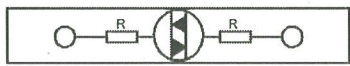
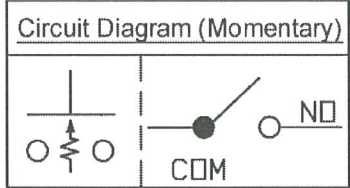
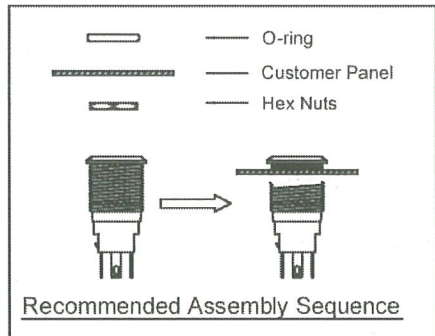
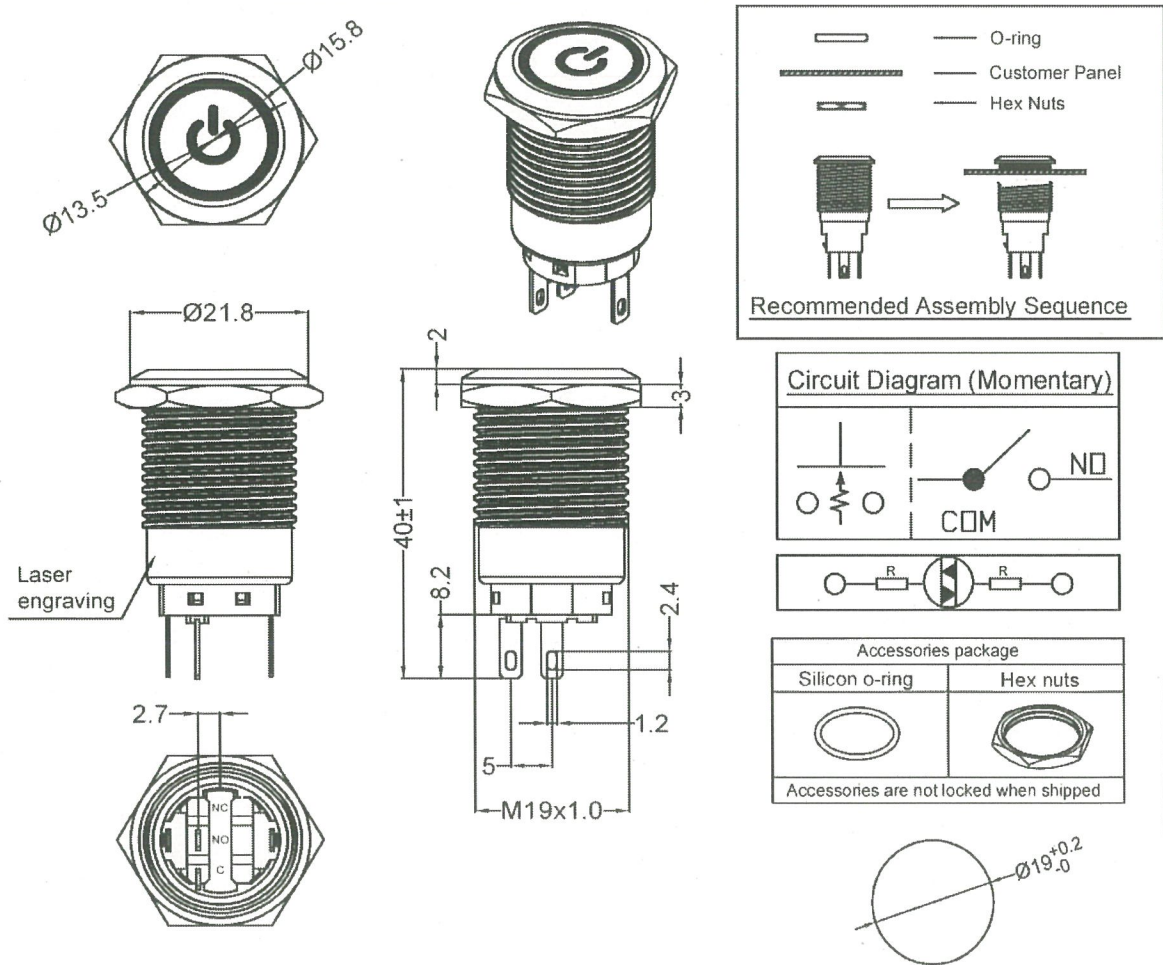
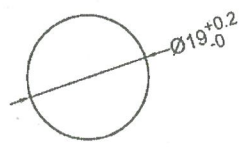


THIS INFORMATION IS CONFIDENTIAL AND PROPRIETARY TO CW INDUSTRIES INCORPORATED AND ITS AFFILIATES. IT MAY NOT BE DISCLOSED TO ANYONE, OTHER THAN CW INDUSTRIES PERSONNEL, WITHOUT WRITTEN AUTHORIZATION FROM CW INDUSTRIES INCORPORATED, SOUTHAMPTON, PENNSYLVANIA USA.

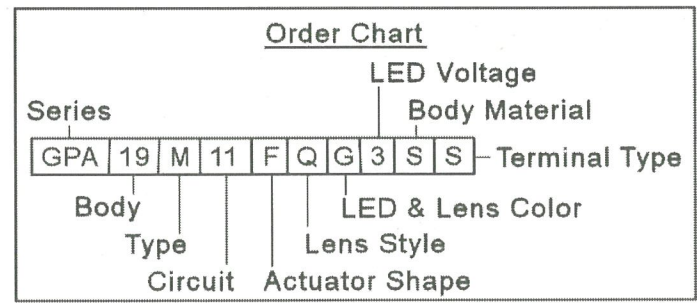


Accessories package	
Silicon o-ring	Hex nuts
Accessories are not locked when shipped	



Panel Cutout $\varnothing 19$ mm
(Panel thickness: 10mm Max.)

Rating: 6A 125/250V~ μ 5E4
6A 3~ 48VDC μ 3E4
Contact Resistance: 50m Ω (max.) initial
Insulation Resistance: 100M Ω (min.)
Actuator Shape: Flat
Type: SPST, Momentary
Body Material: Stainless Steel
Actuator: Stainless Steel
Lens Style: Power Symbol & Ring
LED Color: Green
LED Voltage: 12 VDC
Lens Color: Green
Dielectric Strength: 500VAC for 1 minute
Mechanical Life: 1,000,000 cycles
Operation Force: 350g \pm 150g
Total Travel: 3.2mm (max.)
Protection Level: IP68, IK10 (Above the panel)
Nut Torque: 5~14Nm



NOTE: TOLERANCES UNLESS OTHERWISE SPECIFIED : ± 0.5 (mm).

PK-19M11FQG3SS-ANGA-CW

MASTER

 Southampton, Pa. 18966 Tel 215.355.7080/www.cwind.com	Date Drawn: DW 4/23/25	Rev. 2	Unit: mm	Checked By: <i>G. GOLD</i>	2 Changed panel thk. from 14mm to 10mm. DW 10/29/25 1 Updated PK#. DW 6/24/25
	Title: PUSH BUTTON ANTI-VANDAL SWITCH 12V GREEN LED		CW P/N: GPA19M11FQG3SS		