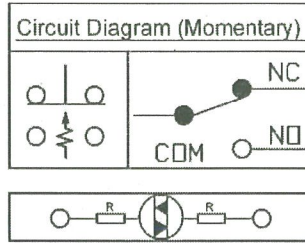
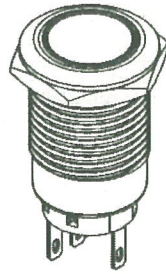
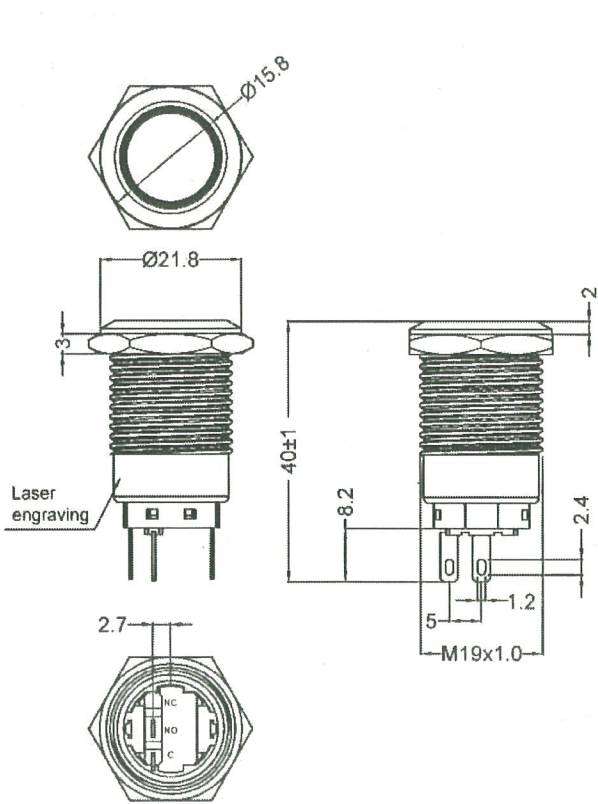
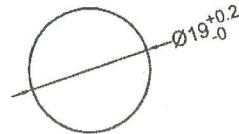


THIS INFORMATION IS CONFIDENTIAL AND PROPRIETARY TO CW INDUSTRIES INCORPORATED AND ITS AFFILIATES. IT MAY NOT BE DISCLOSED TO ANYONE, OTHER THAN CW INDUSTRIES PERSONNEL, WITHOUT WRITTEN AUTHORIZATION FROM CW INDUSTRIES INCORPORATED, SOUTHAMPTON, PENNSYLVANIA USA.

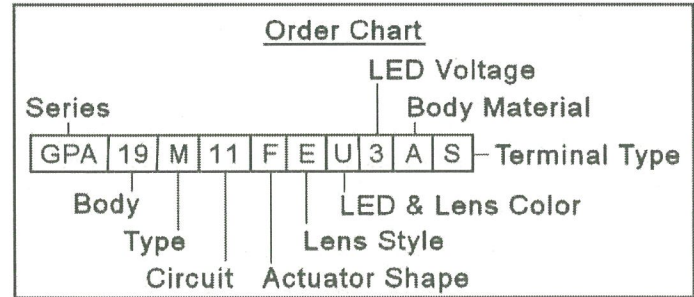


Accessories package	
Silicon o-ring	Hex nuts
Accessories are not locked when shipped	



Panel Cutout Ø19 mm  
(Panel thickness: 10mm Max.)

Rating: 6A 125/250V~µ 5E4  
6A 3~ 48VDC µ 3E4  
Contact Resistance: 50mΩ (max.) initial  
Insulation Resistance: 100MΩ (min.)  
Actuator Shape: Flat  
Type: SPST Momentary  
Body Material: Aluminum Oxide/Color: Black  
Actuator: Aluminum Oxide/Color: Black  
Lens Style: Ring  
LED Color: Blue  
LED Voltage: 12VDC  
Lens Color: Blue  
Dielectric Strength: 500VAC for 1 minute  
Mechanical Life: 1,000,000 cycles  
Operation Force: 350g ± 150g  
Total Travel: 3.2mm (max.)  
Protection Level: IP68, IK10 (Above the panel)  
Nut Torque: 5~14Nm



NOTE: TOLERANCES UNLESS OTHERWISE SPECIFIED : ± 0.5 (mm).

**MASTER**

PK-19M11FEU3AS-ABUA-CW

**CW INDUSTRIES**  
Southampton, Pa. 18966  
Tel 215.355.7080/www.cwind.com

Date Drawn: DW 6/18/25 Rev. 1  
Unit: mm  
Checked By: *G. GULD*  
Title: **PUSH BUTTON  
ANTI-VANDAL SWITCH  
12V BLUE LED**

CW P/N:  
**GPA19M11FEU3AS**

1 Change panel thickness from 14mm to 10mm.  
DW 11/4/25