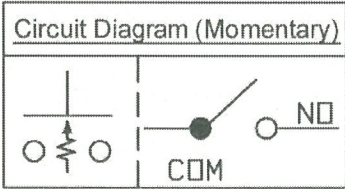
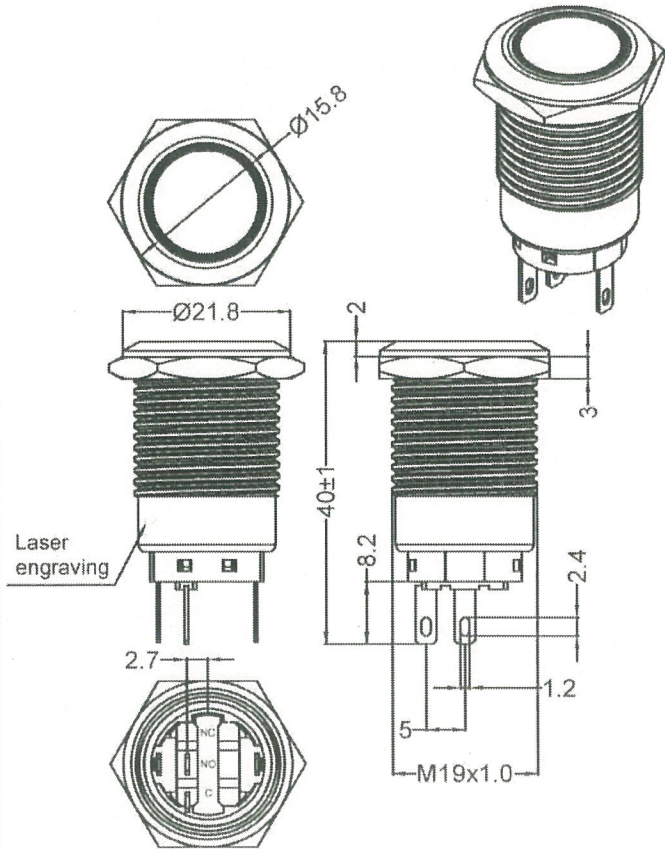
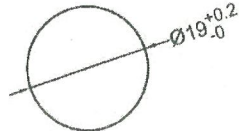


THIS INFORMATION IS CONFIDENTIAL AND PROPRIETARY TO CW INDUSTRIES INCORPORATED AND ITS AFFILIATES. IT MAY NOT BE DISCLOSED TO ANYONE, OTHER THAN CW INDUSTRIES PERSONNEL, WITHOUT WRITTEN AUTHORIZATION FROM CW INDUSTRIES INCORPORATED, SOUTHAMPTON, PENNSYLVANIA USA.



Accessories package	
Silicon o-ring	Hex nuts
Accessories are not locked when shipped	



Panel Cutout  $\varnothing 19$  mm  
(Panel thickness: 10mm Max.)

**Rating:** 6A 125/250V~ $\mu$  5E4  
 6A 3~ 48VDC  $\mu$  3E4  
**Contact Resistance:** 50m $\Omega$  (max.) initial  
**Insulation Resistance:** 100M $\Omega$  (min.)  
**Actuator Shape:** Flat  
**Type:** SPST, Momentary  
**Body Material:** Stainless Steel  
**Actuator:** Stainless Steel  
**Lens Style:** Ring  
**LED Color:** Blue  
**LED Voltage:** 3 VDC  
**Lens Color:** Blue  
**Dielectric Strength:** 500VAC for 1 minute  
**Mechanical Life:** 1,000,000 cycles  
**Operation Force:** 350g  $\pm$  150g  
**Total Travel:** 3.2mm (max.)  
**Protection Level:** IP68, IK10 (Above the panel)  
**Nut Torque:** 5~14Nm

Order Chart										
Series		LED Voltage			Body Material					
GPA	19	M	11	F	E	U	1	S	S	Terminal Type
Body Type		LED & Lens Color			Lens Style					
Circuit		Actuator Shape								

NOTE: TOLERANCES UNLESS OTHERWISE SPECIFIED :  $\pm 0.5$  (mm).

**MASTER**

PK19M11FEU1SS-ANUA-CW

<b>CW INDUSTRIES</b> Southampton, Pa. 18966 Tel 215.355.7080/www.cwind.com	Date Drawn: DW 2/20/25	Rev. 3	Unit: mm	Checked By: <i>G. GOLD</i>	3 Change panel thickness from 14mm to 10mm. DW 11/4/25
	Title: PUSH BUTTON ANTI-VANDAL SWITCH 3V BLUE LED		CW P/N: GPA19M11FEU1SS		2 Updated PK #. DW 6/19/25
					1 Updated notes & removed description of LED color & voltage chart. DW 2/28/25