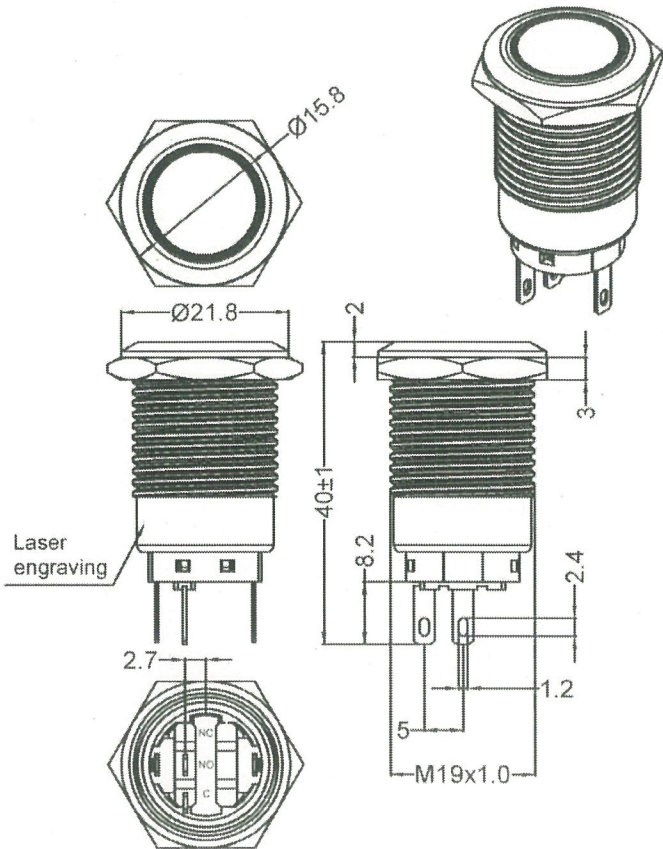
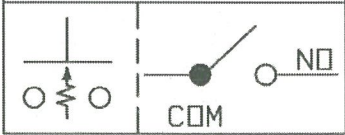


THIS INFORMATION IS CONFIDENTIAL AND PROPRIETARY TO CW INDUSTRIES INCORPORATED AND ITS AFFILIATES. IT MAY NOT BE DISCLOSED TO ANYONE, OTHER THAN CW INDUSTRIES PERSONNEL, WITHOUT WRITTEN AUTHORIZATION FROM CW INDUSTRIES INCORPORATED, SOUTHAMPTON, PENNSYLVANIA USA.

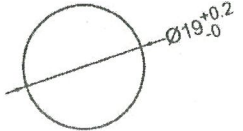


Circuit Diagram (Momentary)



Accessories package

Silicon o-ring	Hex nuts
Accessories are not locked when shipped	



Panel Cutout $\varnothing 19$ mm
(Panel thickness: 10mm Max.)

Rating: 6A 125/250V~ μ 5E4
6A 3~ 48VDC μ 3E4
Contact Resistance: 50m Ω (max.) initial
Insulation Resistance: 100M Ω (min.)
Actuator Shape: Flat
Type: SPST, Momentary
Body Material: Stainless Steel
Actuator: Stainless Steel
Lens Style: Ring
LED Color: Red
LED Voltage: 12 VDC
Lens Color: Red
Dielectric Strength: 500VAC for 1 minute
Mechanical Life: 1,000,000 cycles
Operation Force: 350g \pm 150g
Total Travel: 3.2mm (max.)
Protection Level: IP68, IK10 (Above the panel)
Nut Torque: 5~14Nm

Order Chart

Series	LED Voltage		Body Material		Terminal Type
GPA	19	M	11	F E R 3 S S	
Body Type	LED & Lens Color		Lens Style		
Circuit	Actuator Shape				

NOTE: TOLERANCES UNLESS OTHERWISE SPECIFIED : ± 0.5 (mm).

MASTER

PK19M11FER3SS-ANRA-CW

<p>CW INDUSTRIES Southampton, Pa. 18966 Tel 215.355.7080/www.cwind.com</p>	Date Drawn: DW 2/27/25	Rev. 3	Unit: mm	Checked By: <i>G. GOLD</i>	3 Change panel thickness from 14mm to 10mm. DW 11/4/25
	Title: PUSH BUTTON ANTI-VANDAL SWITCH 12V RED LED		CW P/N: GPA19M11FER3SS		2 Updated PK #. DW 6/19/25
					1 Updated notes & removed description of LED color & voltage chart. DW 2/27/25