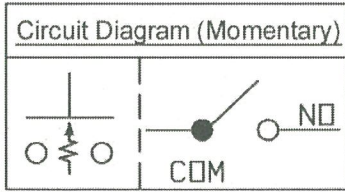
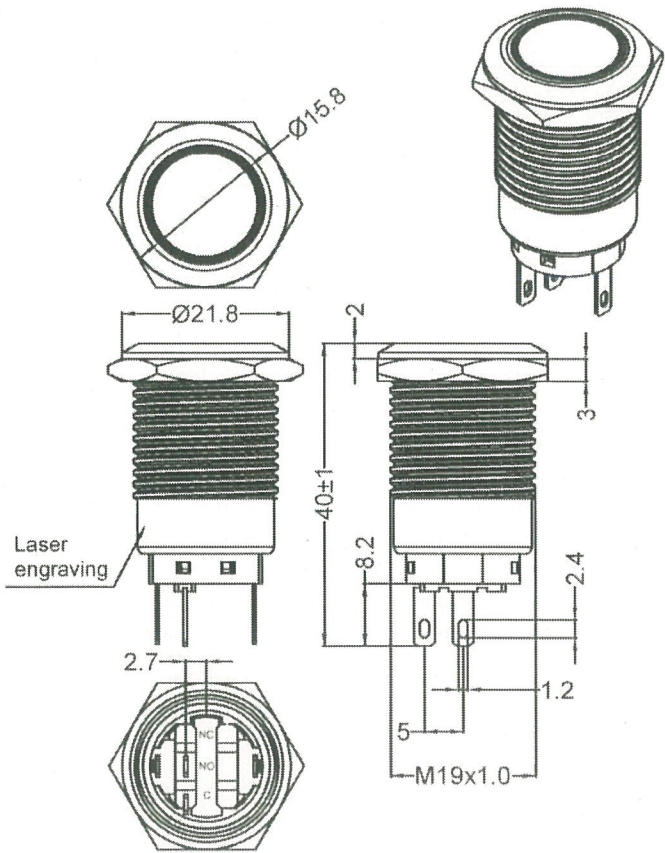
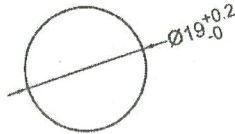


THIS INFORMATION IS CONFIDENTIAL AND PROPRIETARY TO CW INDUSTRIES INCORPORATED AND ITS AFFILIATES. IT MAY NOT BE DISCLOSED TO ANYONE, OTHER THAN CW INDUSTRIES PERSONNEL, WITHOUT WRITTEN AUTHORIZATION FROM CW INDUSTRIES INCORPORATED, SOUTHAMPTON, PENNSYLVANIA USA.



Accessories package	
Silicon o-ring	Hex nuts
Accessories are not locked when shipped	



Panel Cutout $\varnothing 19$ mm
(Panel thickness: 10mm Max.)

Rating: 6A 125/250V~ μ 5E4
6A 3~ 48VDC μ 3E4

Contact Resistance: 50m Ω (max.) initial
Insulation Resistance: 100M Ω (min.)

Actuator Shape: Flat

Type: SPST, Momentary

Body Material: Stainless Steel

Actuator: Stainless Steel

Lens Style: Ring

LED Color: Red

LED Voltage: 3 VDC

Lens Color: Red

Dielectric Strength: 500VAC for 1 minute

Mechanical Life: 1,000,000 cycles

Operation Force: 350g \pm 150g

Total Travel: 3.2mm (max.)

Protection Level: IP68, IK10 (Above the panel)

Nut Torque: 5~14Nm

Order Chart									
Series		LED Voltage		Body Material		Terminal Type			
GPA	19	M	11	F	ER	1	S	S	
Body Type			LED & Lens Color				Lens Style		
Circuit			Actuator Shape						

NOTE: TOLERANCES UNLESS OTHERWISE SPECIFIED : ± 0.5 (mm).

MASTER

PK19M11FER1SS-ANRA-CW

CW INDUSTRIES
Southampton, Pa. 18966
Tel 215.355.7080/www.cwind.com

Date Drawn: DW 2/27/25 Rev. 3
Unit: mm
Checked By: *G. GULD*
Title: PUSH BUTTON
ANTI-VANDAL SWITCH
3V RED LED

CW P/N:
GPA19M11FER1SS

- 3 Change panel thickness from 14mm to 10mm. DW 11/4/25
- 2 Updated PK #. DW 6/19/25
- 1 Updated notes & removed description of LED color & voltage chart. DW 2/27/25