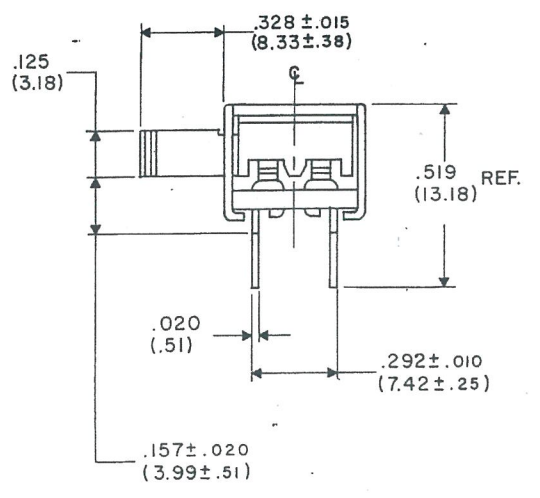
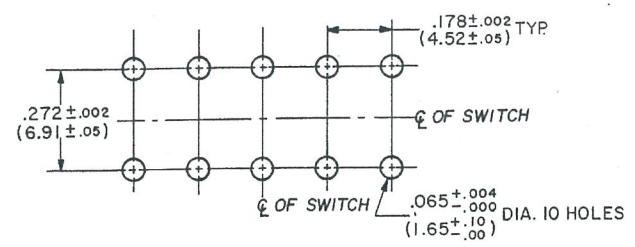
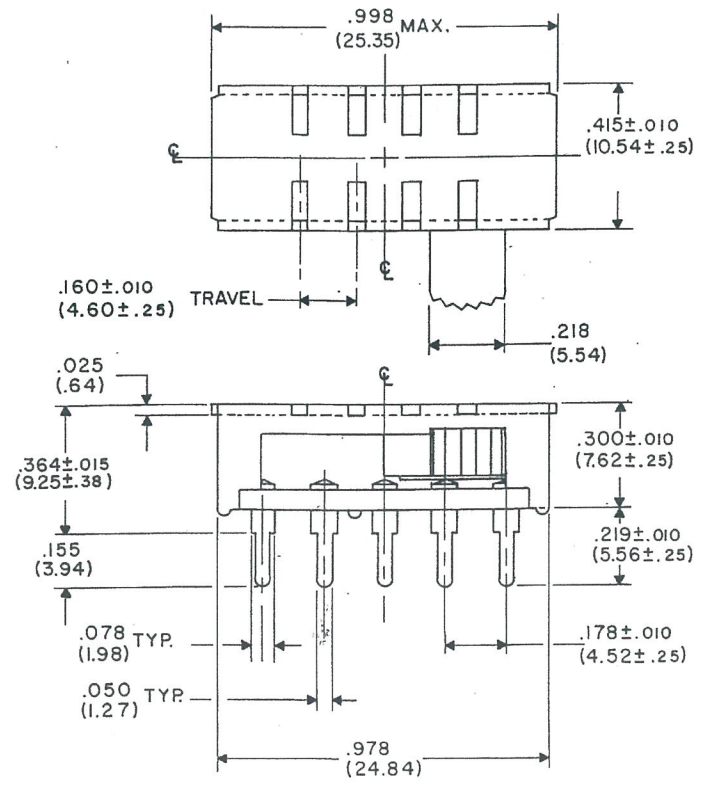


DIMENSIONS IN INCHES (METRIC-MILLIMETERS)  
DO NOT SCALE DRAWING..

Drawing Number  
**GI-159-0009**

**NOTE:**  
Dimensions in ( ) are in millimeters.

**P.C. LAYOUT**  
"COMPONENT SIDE"



REVISIONS  
RELEASED

**ATTENTION**  
THIS DRAWING AND ITS ATTACHMENTS, IF ANY, ARE PROPRIETARY TO CW INDUSTRIES AND DESCRIBE DESIGNS THAT ARE CONFIDENTIAL AND MUST NOT BE DISCLOSED UNLESS AUTHORIZED, IN WRITING, BY AN OFFICER OF CW INDUSTRIES.....

**CW INDUSTRIES**  
Southampton, Pa. 18966

TOLERANCES UNLESS OTHERWISE SPECIFIED  
 2 Place decimal ± .010 METRIC  
 3 Place decimal ± .005 1 Place dec. ± .25MM  
 Angles . . . . . ± 1° 2 Place dec. ± .13MM  
 Made for SLORTNOC WAHSTREBOR  
 Drawn by B.DeRosier 5-9-85  
 Checker  
 Eng. appr.

**SWIDGET ASSEMBLY**

Division **SWITCH**  
 Drawing Number **GI-159-0009**

**MASTER**