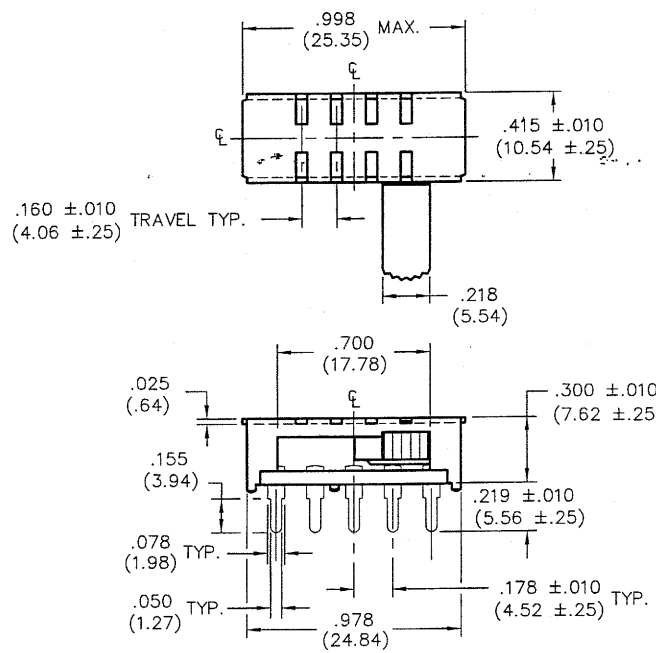


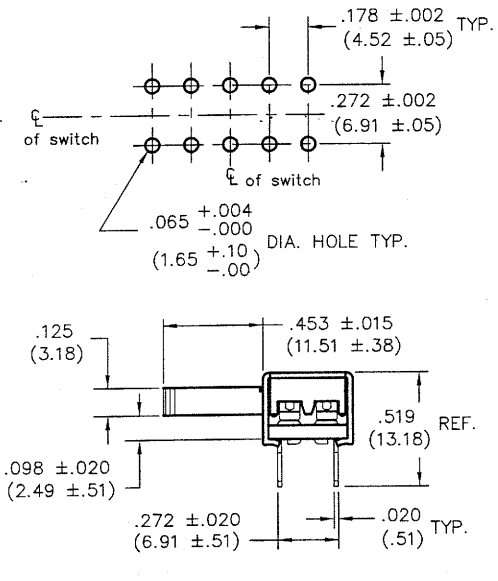
DIMENSIONS IN INCHES (MILLIMETERS)  
DO NOT SCALE DRAWING .....

Dwg. No. **GI-159-0004**

E  
D  
C  
B  
A



**P.C. LAYOUT**



1 2 3 4 5 6 7 8 9 10

B-FORMAT 2002	<b>REVISIONS</b>
	0
	1
	MAY 10 2006

RELEASED: DGW 4-16-96  
 REDRAWN FOR CLARITY: DGW 5-10-2006

PDF FILE MADE	<b>CW INDUSTRIES</b> Southampton, Pa. 18966	Title: <b>SWIDGET ASSEMBLY D.P.- 4 POS. SYDEWYNDER</b>	
	TOLERANCES UNLESS OTHERWISE SPECIFIED	Division: <b>SWITCH</b>	
	2 Place Decimal $\pm .010$ 3 Place Decimal $\pm .005$ Angles ..... $\pm 1^\circ$	METRIC 1 Place Dec. $\pm .25$ mm 2 Place Dec. $\pm .13$ mm	Dwg. No. <b>GI-159-0004</b>
	Made for: CW IND. Drawn by: DGW 4-16-96 Checked by: <i>G. Gold</i> 5-10-6 Approval: <i>D. Gold</i> 5-10-6		