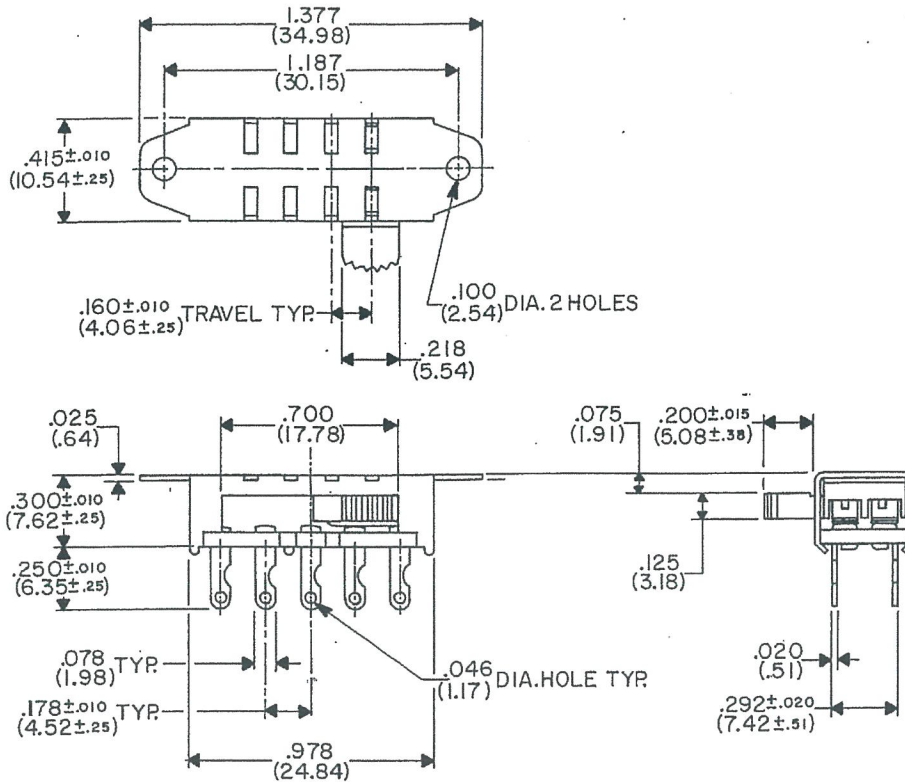


DIMENSIONS IN INCHES (METRIC-MILLIMETERS)
DO NOT SCALE DRAWING..

Drawing Number
GI-159-0000



VISIONS

ATTENTION
THIS DRAWING AND ITS ATTACHMENTS, IF ANY, ARE PROPRIETARY TO CW INDUSTRIES AND DESCRIBE DESIGNS THAT ARE CONFIDENTIAL AND MUST NOT BE DISCLOSED UNLESS AUTHORIZED, IN WRITING, BY AN OFFICER OF CW INDUSTRIES.....

CW INDUSTRIES
Southampton, Pa. 18966

TOLERANCES UNLESS OTHERWISE SPECIFIED

2 Place decimal ± .010	METRIC
3 Place decimal ± .005	1 Place dec. ± .25MM
Angles ± 1°	2 Place dec. ± .13MM

Made for CW
Drawn by GOGOLIN 8-1-83
Checker J(2) 7-2-83
Eng. appr. J(2) 7-2-83

SWIDGET ASSEMBLY
SYDEWYNDER
D.P. 4 POS.

Division **SWITCH**
Drawing Number
GI-159-0000

MASTER