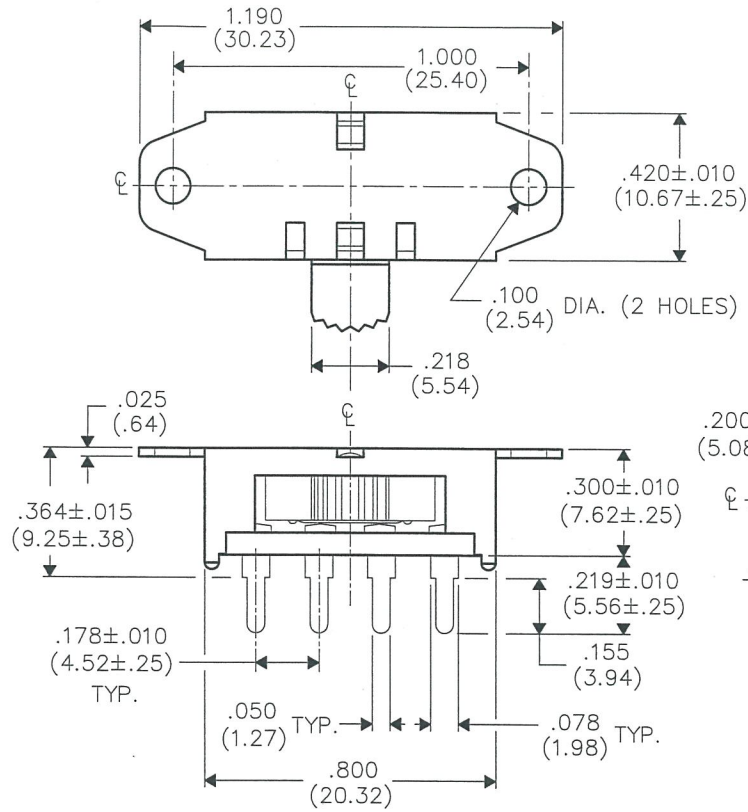


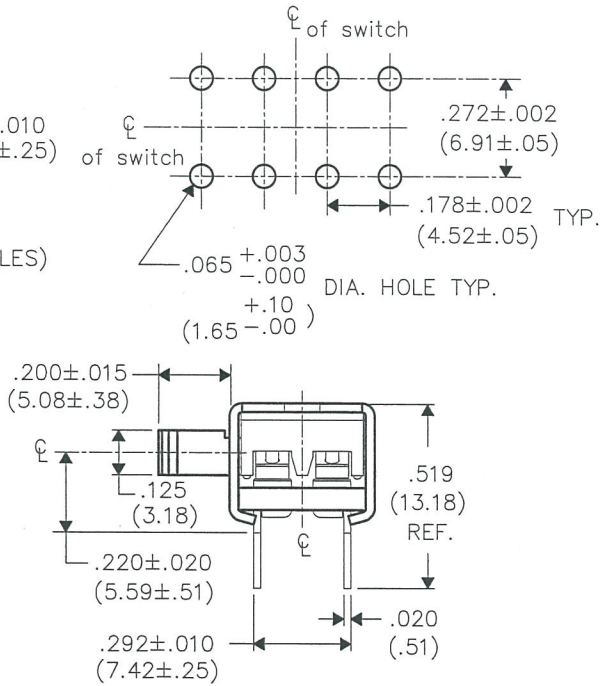
THIS INFORMATION IS CONFIDENTIAL AND PROPRIETARY TO CW INDUSTRIES INCORPORATED AND ITS AFFILIATES. IT MAY NOT BE DISCLOSED TO ANYONE, OTHER THAN CW INDUSTRIES PERSONNEL, WITHOUT WRITTEN AUTHORIZATION FROM CW INDUSTRIES INCORPORATED, SOUTHAMPTON, PENNSYLVANIA USA.

DIMENSIONS IN INCHES (MILLIMETERS)
DO NOT SCALE DRAWING

Dwg. No.
GI-154-0050



P.C. LAYOUT



1 2 3 4 5 6 7 8 9 10

B-FORMAT 2002

REVISIONS
0 RELEASED DCW 7/28/17 C88/S17 AUG 17 2017

CW INDUSTRIES Southampton, Pa. 18966	
TOLERANCES UNLESS OTHERWISE SPECIFIED	
2 Place Decimal ±.010	METRIC
3 Place Decimal ±.005	1 Place Dec. ±.25mm
Angles ±1°	2 Place Dec. ±.13mm
Made for: CW IND.	Division: SWITCH
Drawn by: DGW 7/28/17	Dwg. No. GI-154-0050
Checked by: G. GULD 7-28-17	
Approval: C. HAN 8/19/17	

Title: MINI SLIDE SIDE ACTUATED SWITCH D.P / 3P
Division: SWITCH
Dwg. No. GI-154-0050

MASTER