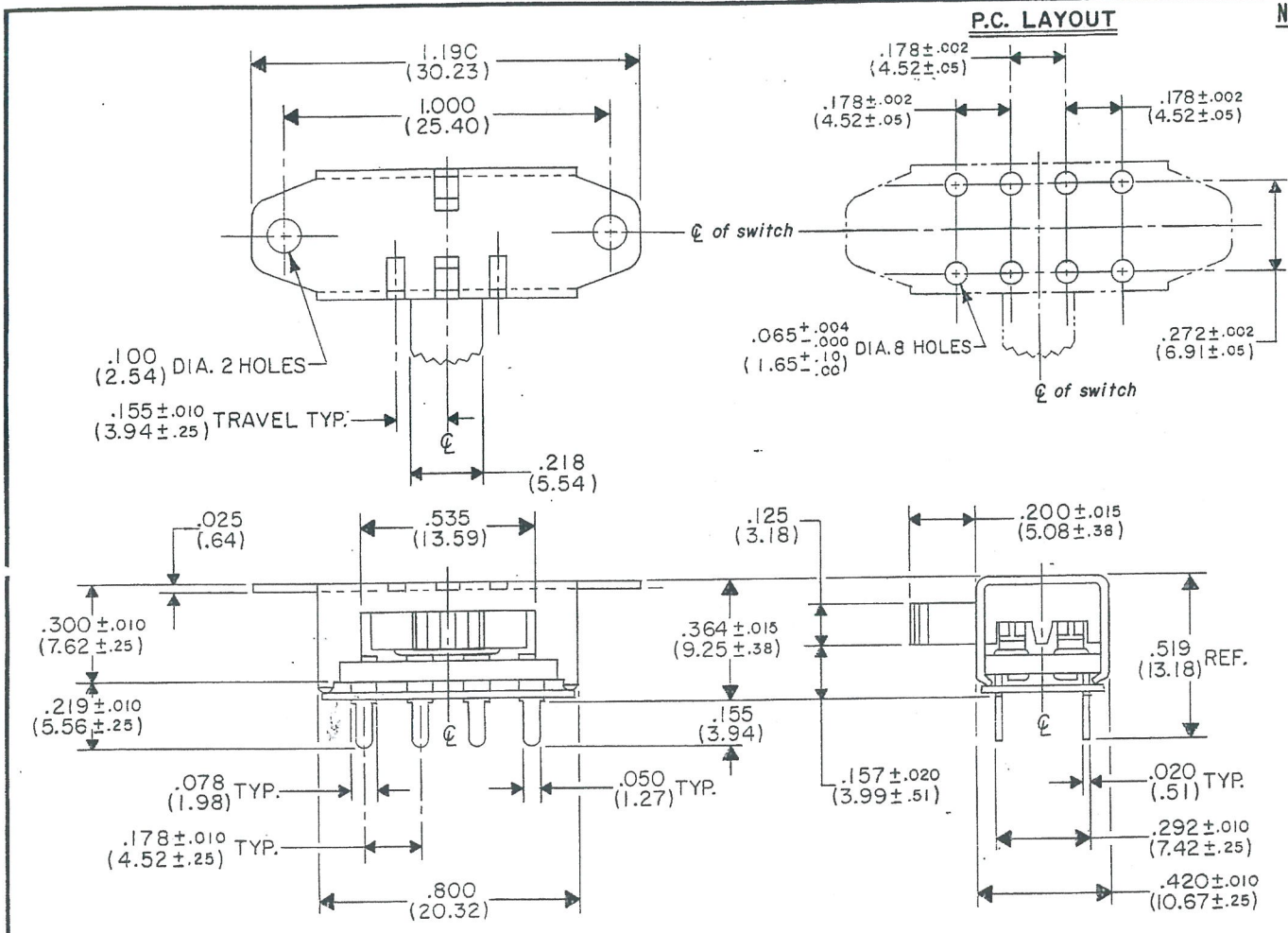


GI-154-0024

NOTE:  
DIMENSIONS IN ( ) ARE IN MILLIMETERS.



DIMENSIONS ARE IN INCHES. DO NOT SCALE DRAWING.

REVISIONS  
DATE 9-21-79  
ENG. AW

**ATTENTION**  
THIS DRAWING AND ITS ATTACHMENTS, IF ANY, ARE PROPRIETARY TO CW INDUSTRIES AND DESCRIBE DESIGNS THAT ARE CONFIDENTIAL AND MUST NOT BE DISCLOSED UNLESS AUTHORIZED, IN WRITING, BY AN OFFICER OF CW INDUSTRIES.....

PDF File Made

METRIC TOLERANCES UNLESS OTHERWISE SPECIFIED  
ONE PLACE DECIMAL  
+ OR - .25 MM  
TWO PLACE DECIMAL  
+ OR - .13 MM

VARIATIONS ON FINISHED DIMENSIONS UNLESS OTHERWISE MARKED  
TOLERANCES UNLESS OTHERWISE SPECIFIED  
2 PLACE DECIMAL ± .010  
3 PLACE DECIMAL ± .005  
FRACTIONS ± 1/64  
ANGULAR DIMENSIONS ± 1/2°

**SWIDGET ASSEMBLY**  
D.P. - 3 POS. (SYDEWYNDER)  
FIRST MADE FOR CNI YADARAF 942380  
DRAWN BY Leo Webber 9-21-79  
DATE DRAWN  
CHECKED BY

**CW INDUSTRIES**  
WARMINSTER, PA. 18974

GI-154-0024

MASTER