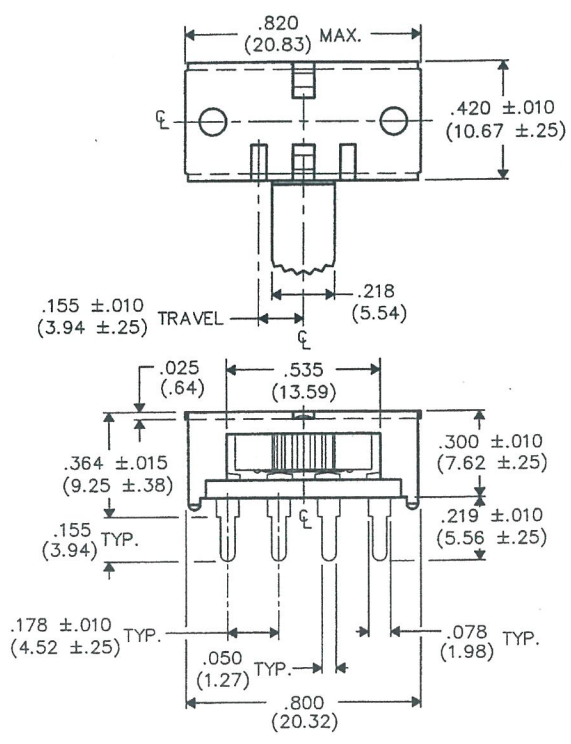


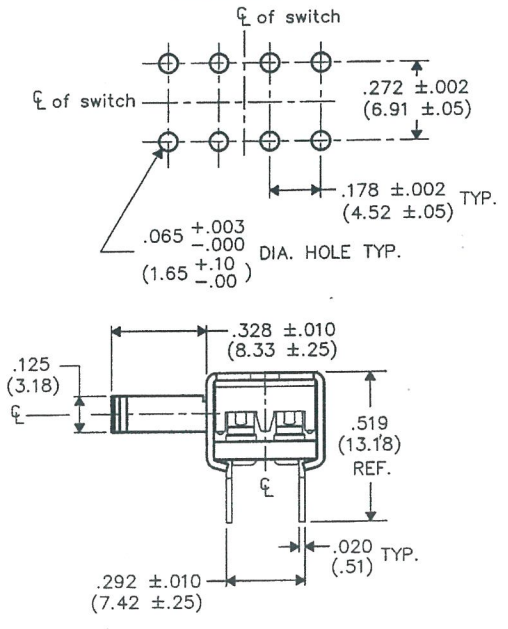
DIMENSIONS IN INCHES (MILLIMETERS)
DO NOT SCALE DRAWING

Dwg. No.
GI-154-0007

E
D
C
B
A



P.C. LAYOUT



1 2 3 4 5 6 7 8 9 10

FORM-B4
REVISIONS
 0
 RELEASED: 5-01-2006
 DGW
 MAY 17 2006

ATTENTION
 THIS DRAWING AND ITS ATTACHMENTS, IF ANY, ARE PROPRIETARY TO CW INDUSTRIES AND DESCRIBE DESIGNS THAT ARE CONFIDENTIAL AND MUST NOT BE DISCLOSED UNLESS AUTHORIZED, IN WRITING, BY AN OFFICER OF CW INDUSTRIES.....

CW INDUSTRIES Southampton, Pa. 18966		Title: SWIDGET ASSEMBLY SYDEWINDER D.P.- 3 POS.	
TOLERANCES UNLESS OTHERWISE SPECIFIED		Division: SWITCH	
2 Place Decimal $\pm .010$	METRIC	Dwg. No. GI-154-0007	
3 Place Decimal $\pm .005$	1 Place Dec. $\pm .25$ mm	Approval: <i>AG</i> 5-16-06	
Angles $\pm 1^\circ$	2 Place Dec. $\pm .13$ mm	Checked by: <i>G. Guld</i> 5-16-06	
Made for: CW IND.	Dwg. No. GI-154-0007		
Drawn by: DGW 5-01-2006	Title: SWIDGET ASSEMBLY SYDEWINDER D.P.- 3 POS.		

MASTER