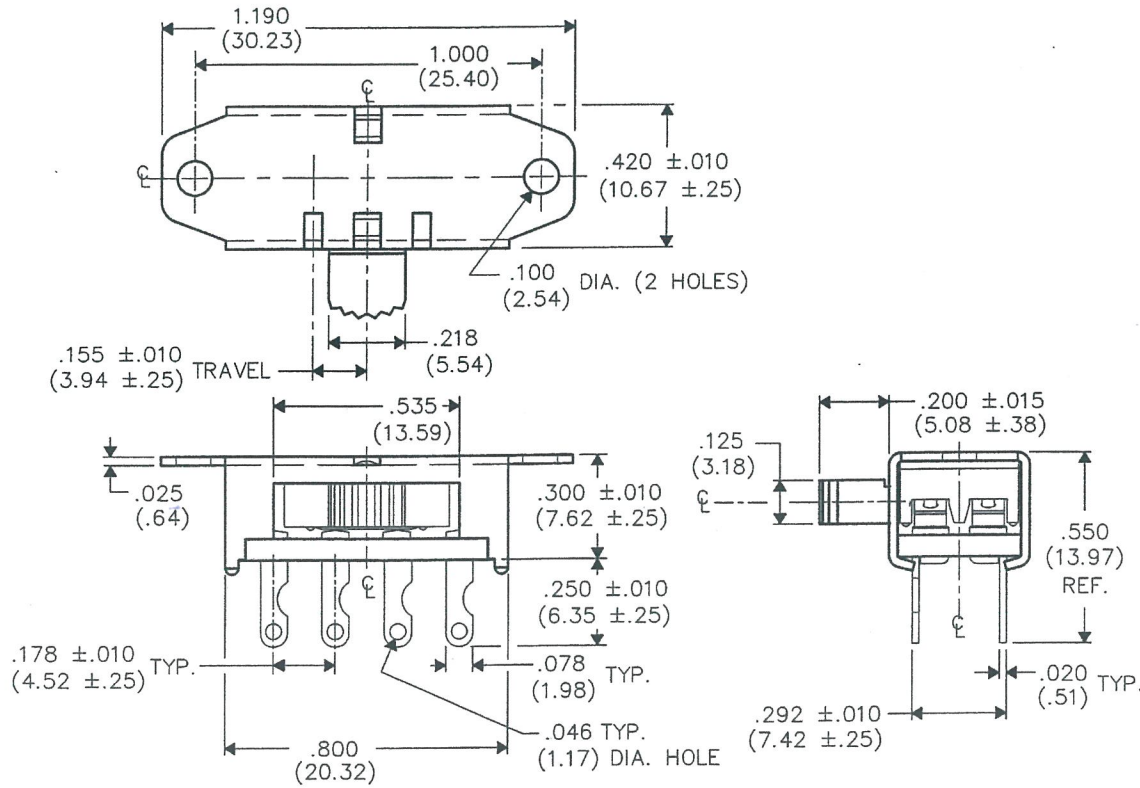


DIMENSIONS IN INCHES (MILLIMETERS)
DO NOT SCALE DRAWING

Dwg. No.

GI-154-0000



B-FORMAT 2002	REVISIONS	3
		REDRAWN. 4-28-2006
		DGW 4-28-2006 MAY 17 2006

ATTENTION

THIS DRAWING AND ITS ATTACHMENTS, IF ANY, ARE PROPRIETARY TO CW INDUSTRIES AND DESCRIBE DESIGNS THAT ARE CONFIDENTIAL AND MUST NOT BE DISCLOSED UNLESS AUTHORIZED, IN WRITING, BY AN OFFICER OF CW INDUSTRIES.....

CW INDUSTRIES Southampton, Pa. 18966	
<small>TOLERANCES UNLESS OTHERWISE SPECIFIED</small>	
2 Place Decimal ±.010	METRIC
3 Place Decimal ±.005	1 Place Dec. ±.25mm
Angles ±1°	2 Place Dec. ±.13mm
Made for: CW IND.	
Drawn by: DGW 4-28-2006	
Checked by: <i>B. Gud</i> 5-16-06	
Approval: <i>A. C. Long</i> 5-16-06	

Title:	SWDGET D.P.- 3 POS. SYDEWYNDER ASSEMBLY
Division:	SWITCH
Dwg. No.	GI-154-0000

MASTER