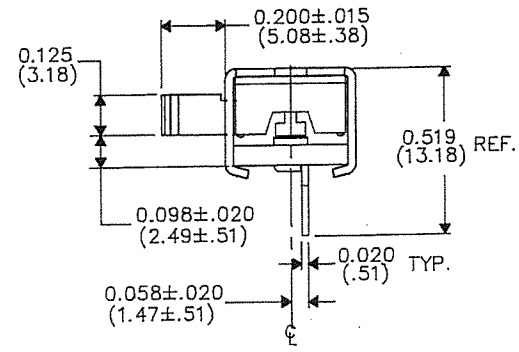
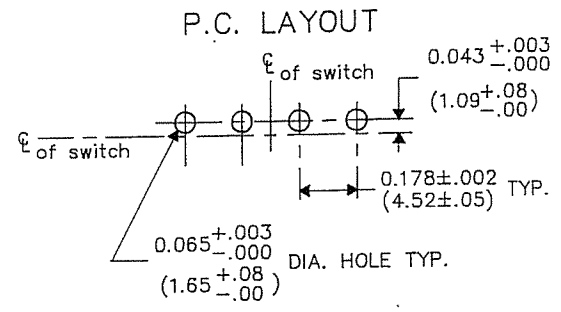
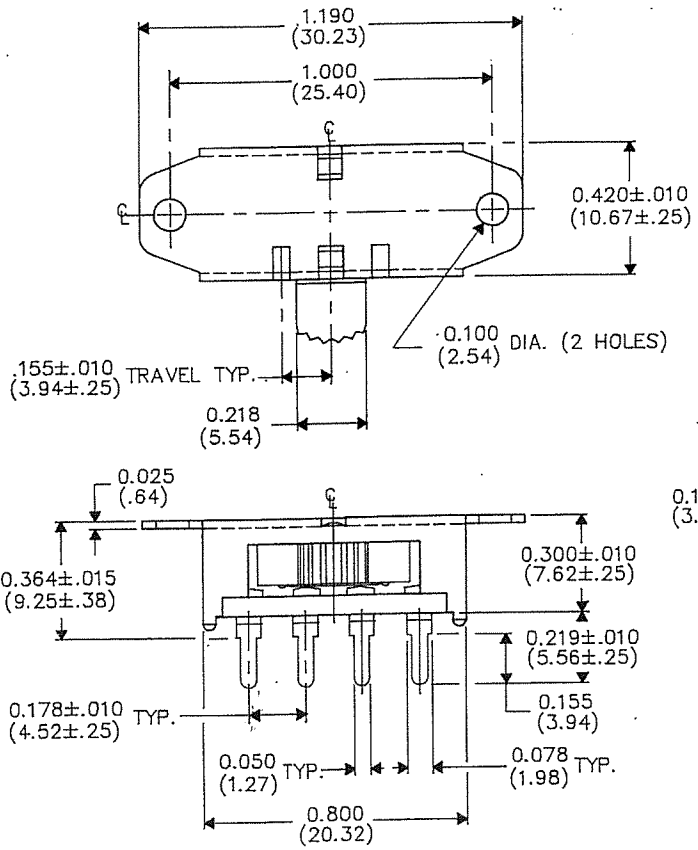


DIMENSIONS IN INCHES (MILLIMETERS)  
DO NOT SCALE DRAWING...

Drawing No. **GI-153-0021**



REVISIONS  
RELEASED BY: *[Signature]*  
SPR 8-24-92

ATTENTION  
THIS DRAWING AND ITS ATTACHMENTS, IF ANY, ARE PROPRIETARY TO CW INDUSTRIES AND DESCRIBE DESIGNS THAT ARE CONFIDENTIAL AND MUST NOT BE DISCLOSED UNLESS AUTHORIZED, IN WRITING, BY AN OFFICER OF CW INDUSTRIES.....

**CW INDUSTRIES**  
Southampton, Pa. 18966

TOLERANCES UNLESS OTHERWISE SPECIFIED  
2 Place decimal ± 0.010 METRIC  
3 Place decimal ± 0.005 1 Place dec. ± 25 MM  
Angles ± 1° 2 Place dec ± 13 MM

Made for CW IND.  
Drawn by SPR 8-24-92  
Checked by G. GULD 8-26-92  
Approval J33/K 8-28-92

Title  
**ASSEMBLY  
SWIDGET  
SIDE ACTUATED  
S.P. - 3 POS.**

Division  
**SWITCH**

Drawing No.  
**GI-153-0021**

MASTER