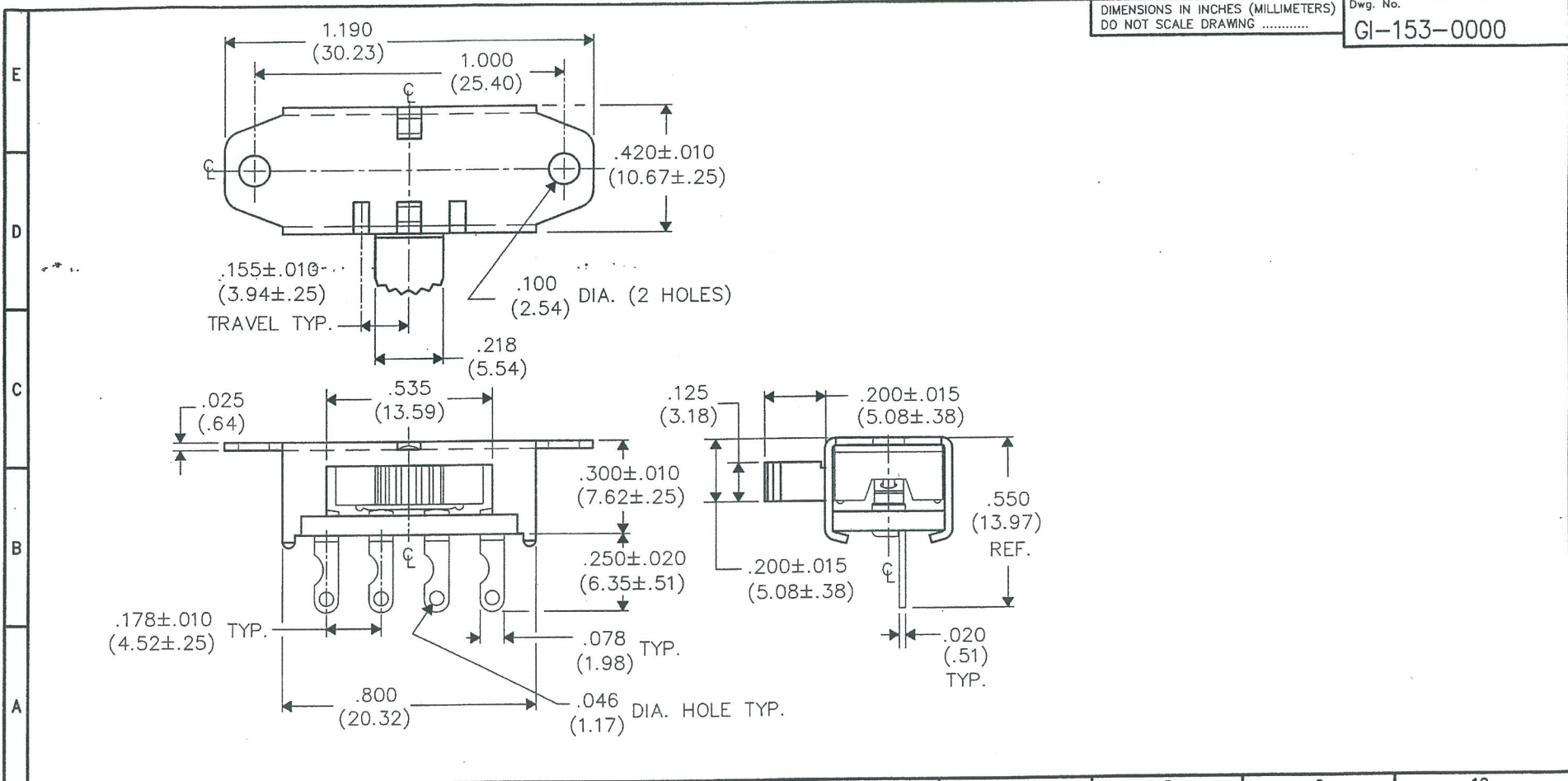


DIMENSIONS IN INCHES (MILLIMETERS)
DO NOT SCALE DRAWING

Dwg. No.
GI-153-0000



1 2 3 4 5 6 7 8 9 10

B-FORMAT 2002
REVISIONS
REDRAWN, CORRECTED FRONT VIEW OF TERMINALS.
DGW 4-18-2006
JUN 02 2006

ATTENTION
THIS DRAWING AND ITS ATTACHMENTS, IF ANY, ARE PROPRIETARY TO CW INDUSTRIES AND DESCRIBE DESIGNS THAT ARE CONFIDENTIAL AND MUST NOT BE DISCLOSED UNLESS AUTHORIZED, IN WRITING, BY AN OFFICER OF CW INDUSTRIES.....

<p>Southampton, Pa. 18966</p>	<p>Title: SWIDGET ASSEMBLY S.P.- 3 POS. (SYDEWYNDER)</p>	
	<p>Division: SWITCH</p>	
<p>TOLERANCES UNLESS OTHERWISE SPECIFIED</p>		
<p>2 Place Decimal ±.010</p>	<p>METRIC</p>	
<p>3 Place Decimal ±.005</p>	<p>1 Place Dec. ±.25mm</p>	<p>2 Place Dec. ±.13mm</p>
<p>Angles ±1°</p>	<p>Dwg. No. GI-153-0000</p>	
<p>Made for: CW IND.</p>	<p>Approved: <i>B. Gold</i> 6-1-06</p>	
<p>Drawn by: DGW 4-18-2006</p>	<p>Checked by: <i>B. Gold</i> 6-1-06</p>	

MASTER