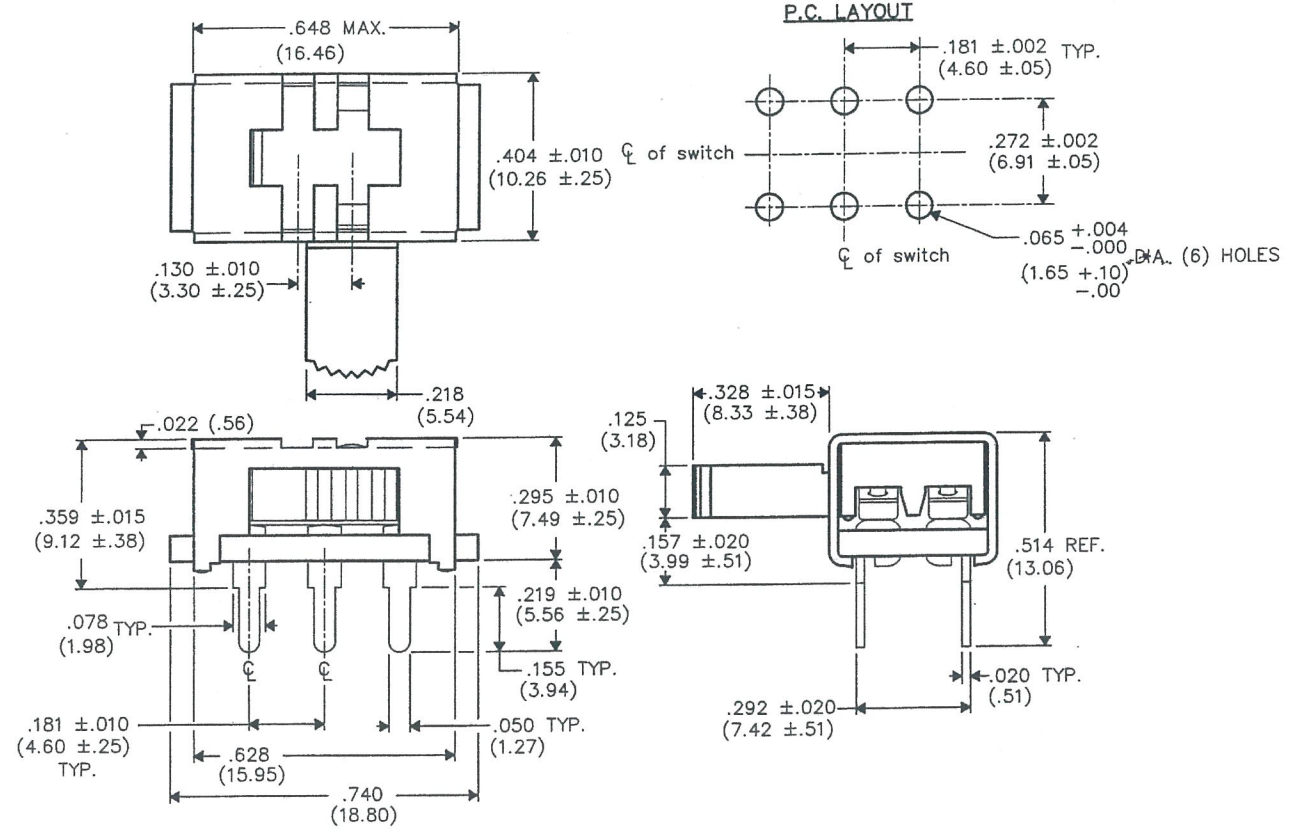


DIMENSIONS IN INCHES (MILLIMETERS)
DO NOT SCALE DRAWING

Dwg. No.
GI-152-0084

E
D
C
B
A



1 2 3 4 5 6 7 8 9 10

FORM-B4

REVISIONS	0
RELEASED.	2-14-2006
DGW	FEB 24 2006

ATTENTION

THIS DRAWING AND ITS ATTACHMENTS, IF ANY, ARE PROPRIETARY TO CW INDUSTRIES AND DESCRIBE DESIGNS THAT ARE CONFIDENTIAL AND MUST NOT BE DISCLOSED UNLESS AUTHORIZED, IN WRITING, BY AN OFFICER OF CW INDUSTRIES.....

CW INDUSTRIES Southampton, Pa. 18966 TOLERANCES UNLESS OTHERWISE SPECIFIED 2 Place Decimal ±.010 METRIC 3 Place Decimal ±.005 1 Place Dec. ±.25mm Angles: ±1' 2 Place Dec. ±.13mm	Title:	SWIDGET ASSEMBLY SYDEWINDER D.P.- D.T.
	Made for:	CW IND.
	Drawn by:	DGW 2-14-2006
	Checked by:	G. Gold 2-20-06
Approval:	<i>[Signature]</i> 2-22-06	Dwg. No. GI-152-0084
PDF File Made	Division:	SWITCH

MASTER