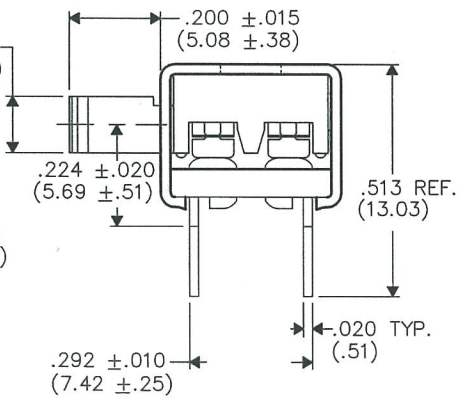
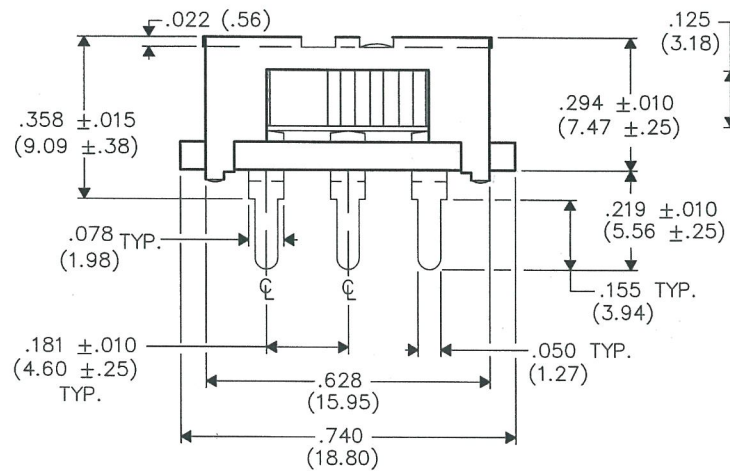
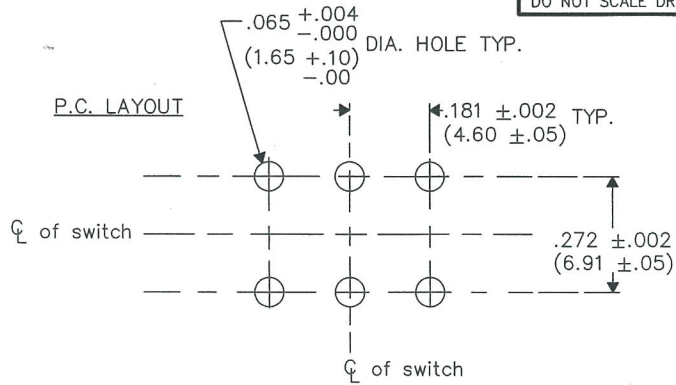
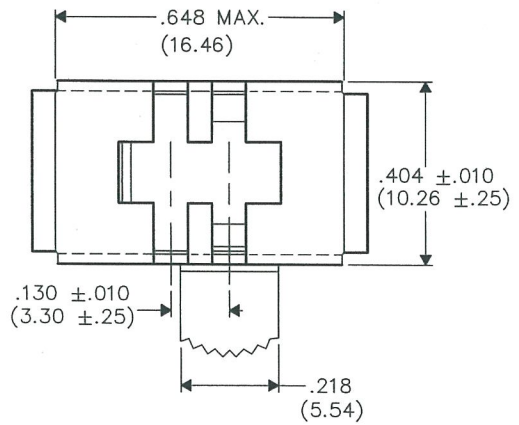


F
D
C
B
A
 THIS INFORMATION IS CONFIDENTIAL AND PROPRIETARY TO CW INDUSTRIES INCORPORATED AND ITS AFFILIATES. IT MAY NOT BE DISCLOSED TO ANYONE, OTHER THAN CW INDUSTRIES PERSONNEL, WITHOUT WRITTEN AUTHORIZATION FROM CW INDUSTRIES INCORPORATED, SOUTHAMPTON, PENNSYLVANIA USA.

DIMENSIONS IN INCHES (MILLIMETERS)
DO NOT SCALE DRAWING

Dwg. No.
GI-152-0080



RATINGS:
UL CSA
3A AC .5A DC 125V

BUTTON COLOR:
BLACK

1	2	3	4	5	6	7	8	9	10								
B-FORMAT 2002 REVISIONS <table border="1" style="width: 100%; border-collapse: collapse;"> <tr> <td style="width: 5%; text-align: center;">0</td> <td>RELEASED. DGW 6-14-93</td> </tr> <tr> <td style="width: 5%; text-align: center;">1</td> <td>RBK JUNE 18, 1993 REMOVED TRAVEL FROM .130±.010.</td> </tr> <tr> <td style="width: 5%; text-align: center;">2</td> <td>GG DEC. 14, 1994 REDRAWN WITH NEW FORMAT. ADDED RATINGS & BUTTON COLOR. DGW 3-15-2010 GG MAR 15 2010</td> </tr> </table>							0	RELEASED. DGW 6-14-93	1	RBK JUNE 18, 1993 REMOVED TRAVEL FROM .130±.010.	2	GG DEC. 14, 1994 REDRAWN WITH NEW FORMAT. ADDED RATINGS & BUTTON COLOR. DGW 3-15-2010 GG MAR 15 2010	CW INDUSTRIES Southampton, Pa. 18966 TOLERANCES UNLESS OTHERWISE SPECIFIED 2 Place Decimal ±.010 METRIC 3 Place Decimal ±.005 1 Place Dec. ±.25mm Angles ±1' 2 Place Dec. ±.13mm			Title: SWIDGET ASSEMBLY D.P.- D.T. SYDEWYNDER Division: SWITCH Dwg. No. GI-152-0080	
0	RELEASED. DGW 6-14-93																
1	RBK JUNE 18, 1993 REMOVED TRAVEL FROM .130±.010.																
2	GG DEC. 14, 1994 REDRAWN WITH NEW FORMAT. ADDED RATINGS & BUTTON COLOR. DGW 3-15-2010 GG MAR 15 2010																
Made for: CW IND. Drawn by: DGW 3-15-2010 Checked by: <i>G. Guld 3-15-10</i> Approval: <i>G GULD 3-15-10</i>							PDF FILE MADE										

MASTER