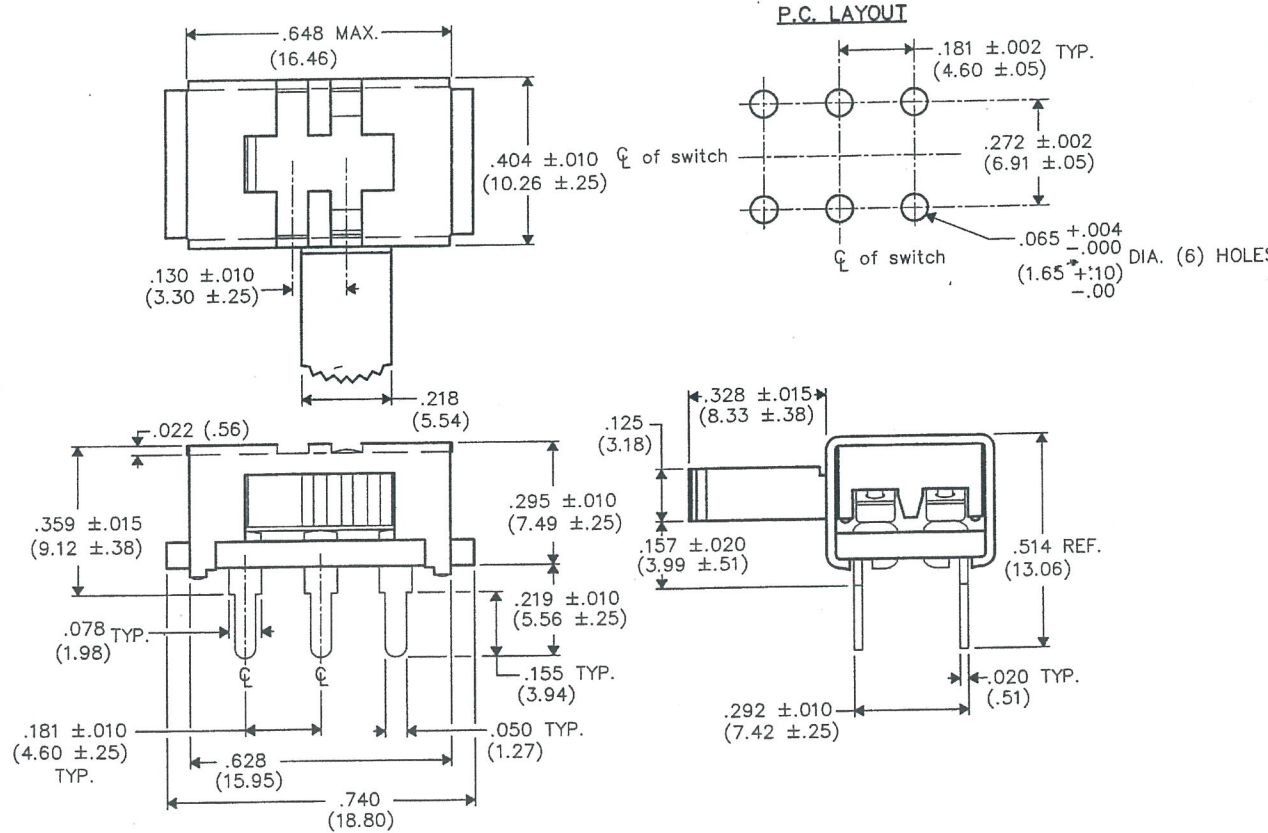


DIMENSIONS IN INCHES (MILLIMETERS)
DO NOT SCALE DRAWING

Dwg. No.

GI-152-0017

E
D
C
B
A



NOTE:

Dimensions in () are in millimeters.

1 2 3 4 5 6 7 8 9 10

FORM-B4	REVISIONS	2
		1-23-2006
		DGW FEB 03 2006

ATTENTION

THIS DRAWING AND ITS ATTACHMENTS, IF ANY, ARE PROPRIETARY TO CW INDUSTRIES AND DESCRIBE DESIGNS THAT ARE CONFIDENTIAL AND MUST NOT BE DISCLOSED UNLESS AUTHORIZED, IN WRITING, BY AN OFFICER OF CW INDUSTRIES.....

PDF File Made	CW INDUSTRIES Southampton, Pa. 18966	Title: SWIDGET ASSEMBLY SYDEWINDER D.P.- D.T.
	TOLERANCES UNLESS OTHERWISE SPECIFIED	
	2 Place Decimal $\pm .010$ METRIC	
	3 Place Decimal $\pm .005$ 1 Place Dec. $\pm .25$ mm	2 Place Dec. $\pm .13$ mm
Made for: CW IND.	Division: SWITCH	
Drawn by: DGW 1-23-2006	Dwg. No. GI-152-0017	
Checked by: G.Guld 2-3-06		
Approval: [Signature] 2-3-06		

MASTER