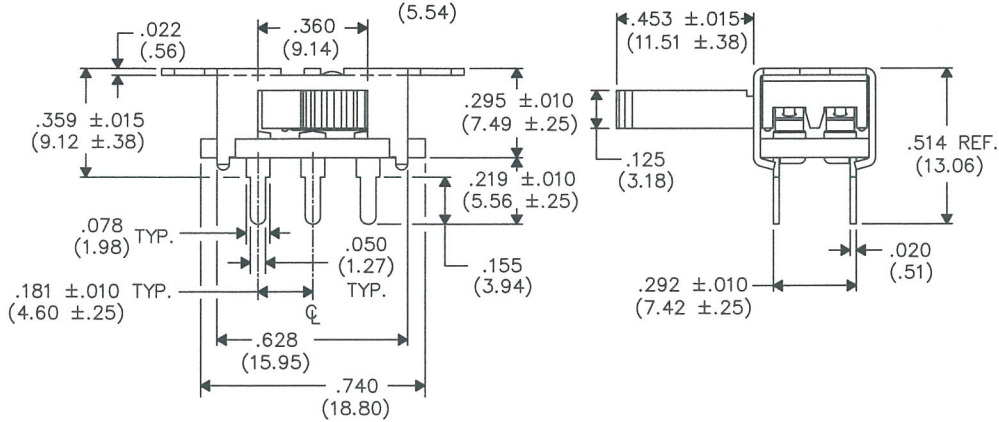
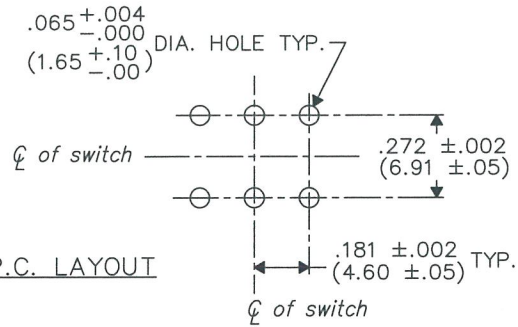
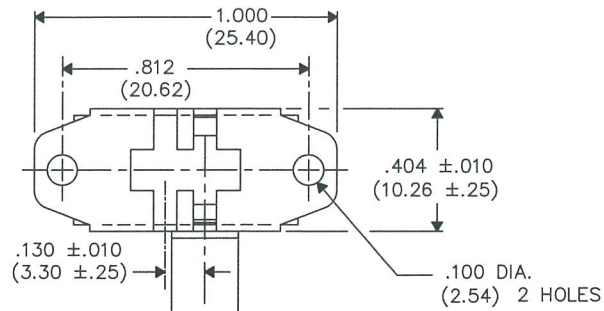


DIMENSIONS IN INCHES (MILLIMETERS)
DO NOT SCALE DRAWING

Dwg. No.
GI-152-0008



E									
D									
C									
B									
A									
	1	2	3	4	5	6	7	8	9

FORM-B3 REVISIONS 0 RELEASED. DGW 2-25-2004 FEB. 26, 2004	ATTENTION THIS DRAWING AND ITS ATTACHMENTS, IF ANY, ARE PROPRIETARY TO CW INDUSTRIES AND DESCRIBE DESIGNS THAT ARE CONFIDENTIAL AND MUST NOT BE DISCLOSED UNLESS AUTHORIZED, IN WRITING, BY AN OFFICER OF CW INDUSTRIES.....						PDF File Made ID. No.	CW INDUSTRIES Southampton, Pa. 18966 TOLERANCES UNLESS OTHERWISE SPECIFIED 2 Place Decimal ±.010 METRIC 3 Place Decimal ±.005 1 Place Dec. ±.25mm Angles ±1" 2 Place Dec. ±.13mm	Title: MINI SWITCH ASSEMBLY D.P.D.T. Division: SWITCH Dwg. No. GI-152-0008
	Made for: CW IND.								
	Drawn by: DGW 2-25-2004								
	Checked by: GG 2-26-04								
Approval: BF 2-26-4									

MASTER