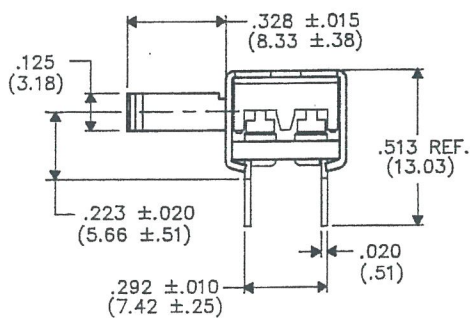
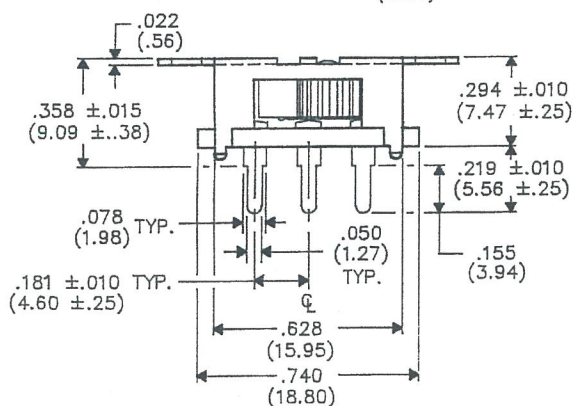
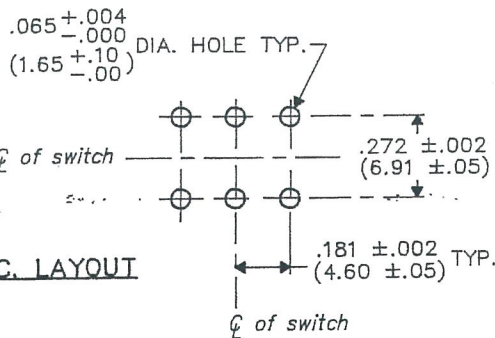
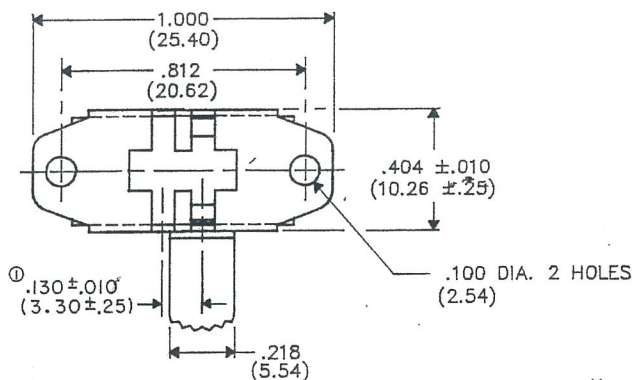


DIMENSIONS IN INCHES (MILLIMETERS)
DO NOT SCALE DRAWING...

Drawing No. GI-152-0006



ATTENTION
THIS DRAWING AND ITS ATTACHMENTS, IF ANY, ARE PROPRIETARY TO CW INDUSTRIES AND DESCRIBE DESIGNS THAT ARE CONFIDENTIAL AND MUST NOT BE DISCLOSED UNLESS AUTHORIZED, IN WRITING, BY AN OFFICER OF CW INDUSTRIES.....

B - FORM - G	REVISIONS	0
	RELEASED	1
	DGW 3-04-94	
	ADDED .130 ±.010. DGW 12-07-94 G.G.	

PDF File Made ID. NO.: SAH0021A	CW INDUSTRIES Southampton, Pa. 18966
	TOLERANCES UNLESS OTHERWISE SPECIFIED 2 Place decimal ±.010 METRIC 3 Place decimal ±.005 1 Place dec. ±.25 MM Angles 1° 2 Place dec. ±.15 MM
	Made for: CW IND.
	Drawn by: DGW 3-04-94 Checked by: G.GULD 3-8-94 Approval: J.S.K. 3-8-94

Title	SWIDGET ASSEMBLY D.P. - D.T. SYDEWYNDER
Division	SWITCH
Drawing No.	GI-152-0006

MASTER