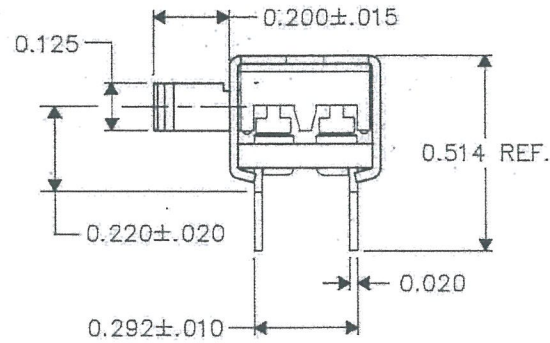
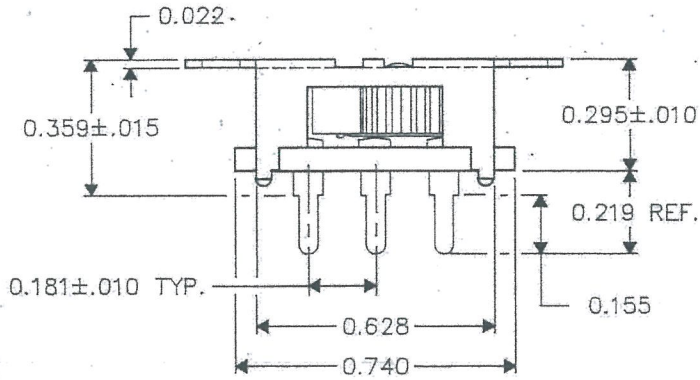
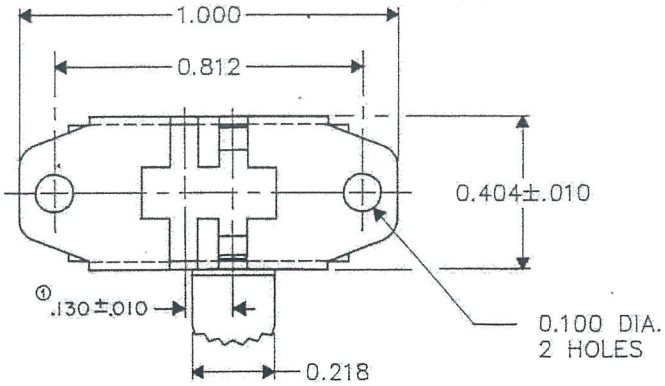


DIMENSIONS IN INCHES (MILLIMETERS)
DO NOT SCALE DRAWING...

Drawing No.
GI-152-0001



B-FORM-0

REVISIONS	
0	RELEASED
1	ADDED .130 ± .010 TO TOP VIEW. D.G.W. 11-30-94 G.C. DEC 14 1994

ATTENTION
THIS DRAWING AND ITS ATTACHMENTS, IF ANY, ARE PROPRIETARY TO CW INDUSTRIES AND DESCRIBE DESIGNS THAT ARE CONFIDENTIAL AND MUST NOT BE DISCLOSED UNLESS AUTHORIZED, IN WRITING, BY AN OFFICER OF CW INDUSTRIES.....

CW INDUSTRIES
Southampton, Pa. 18966

TOLERANCES UNLESS OTHERWISE SPECIFIED
 2 Place decimal ±.010 METRIC
 3 Place decimal ±.005 (Place dec. ±.25 MM
 Angles ±1° 2 Place dec. ±.13 MM

Made for: CW IND.
 Drawn by: SPR 11-2-90
 Checked by: *ABK 11-6-90*
 Approved: *ABK 11-6-90*

Title
**SWDGET
D.P.- D.T.
SYDEWYNDER**

Division
SWITCH

Drawing No.
GI-152-0001

MASTER
MASTER **MASTER**